



7.1 High Definition Bass Manager Remote Control Wiring Diagram

Pin	Function
1	Volume control
2	LOGO voltage
3	GND *
4	RS 232 transmit *
5	RS 232 receive *
6	Supply voltage +3.3 V
7	Bypass bass management
8	+10 dB LFE gain
*	Pins used for RS 232 control



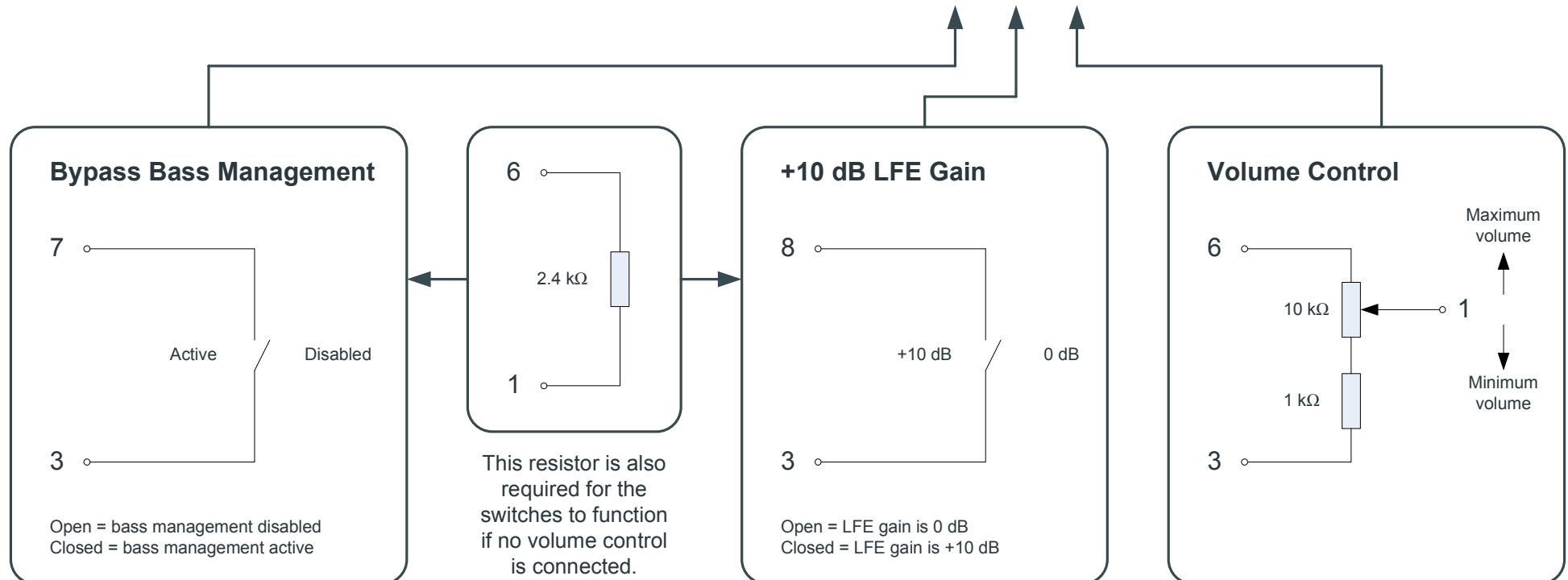
Neumann Remote Control (NRC 1)



Neumann Remote Control Cable (RC length [m])
RC 2, RC 5, RC 10, RC 15, RC 20, RC 25, RC 30



Bass Manager Remote Control Socket



Attaching non-Neumann accessories to the subwoofer is done at the owners' own risk.