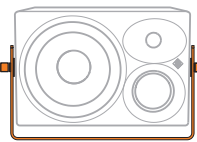
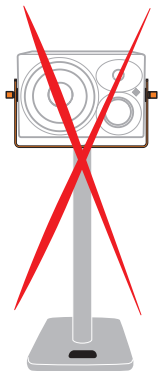
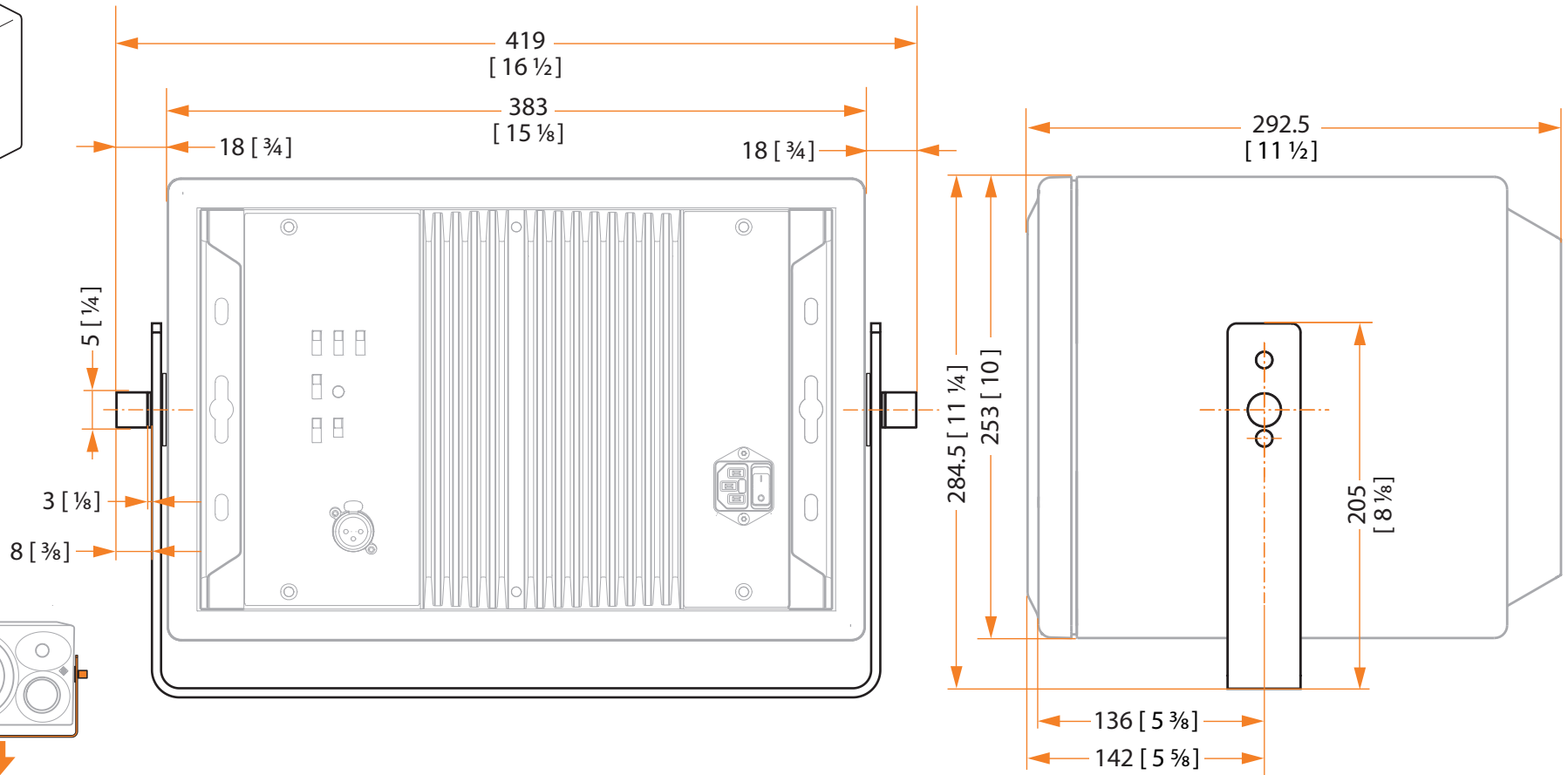
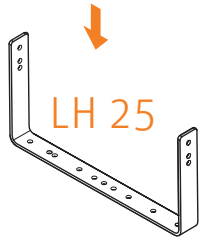
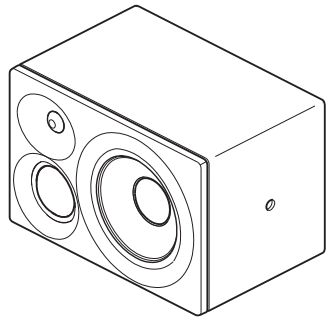


e. g.
K&M 26790
K&M 26795

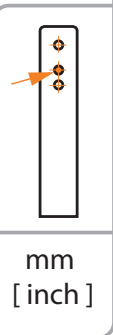
i The K&M stands have to be rotated by 90 degrees in order to fit on the LH 25





e. g.
K&M 26790
K&M 26795

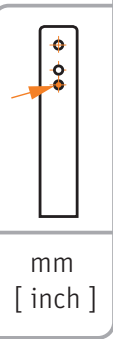
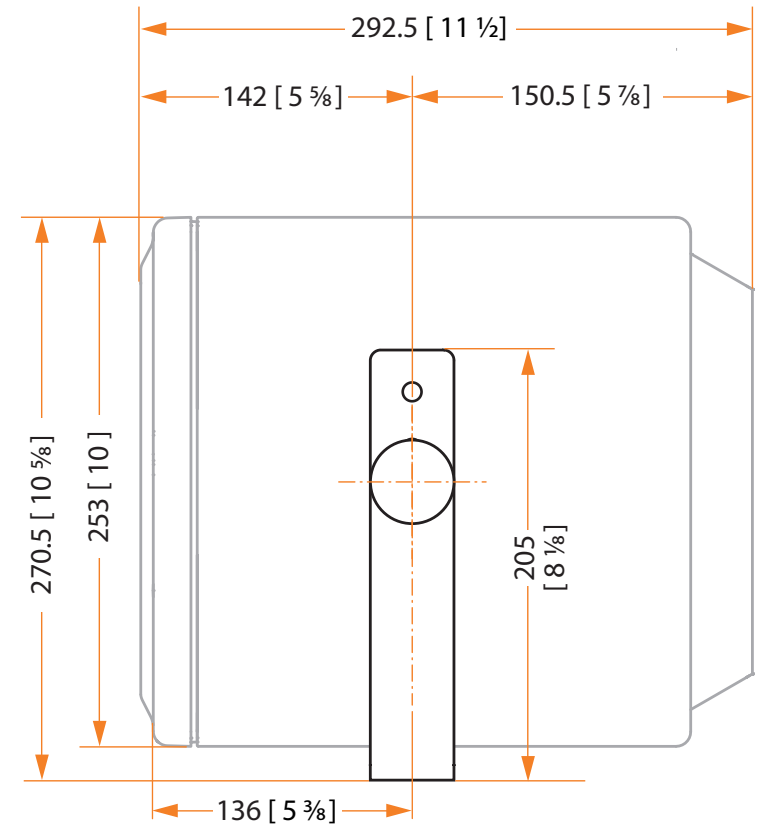
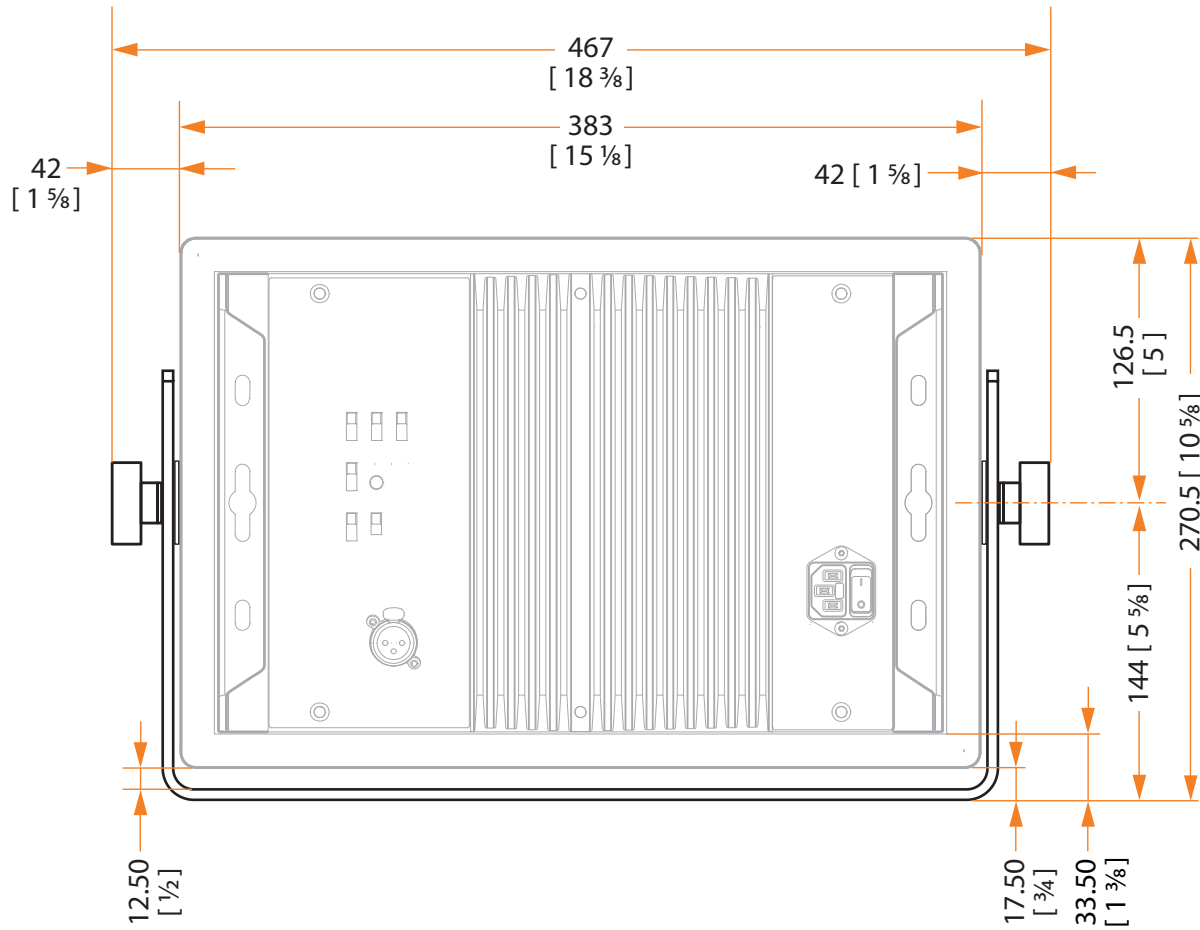
i The K&M stands have to be rotated by 90 degrees in order to fit on the LH 25



mm
[inch]

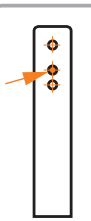
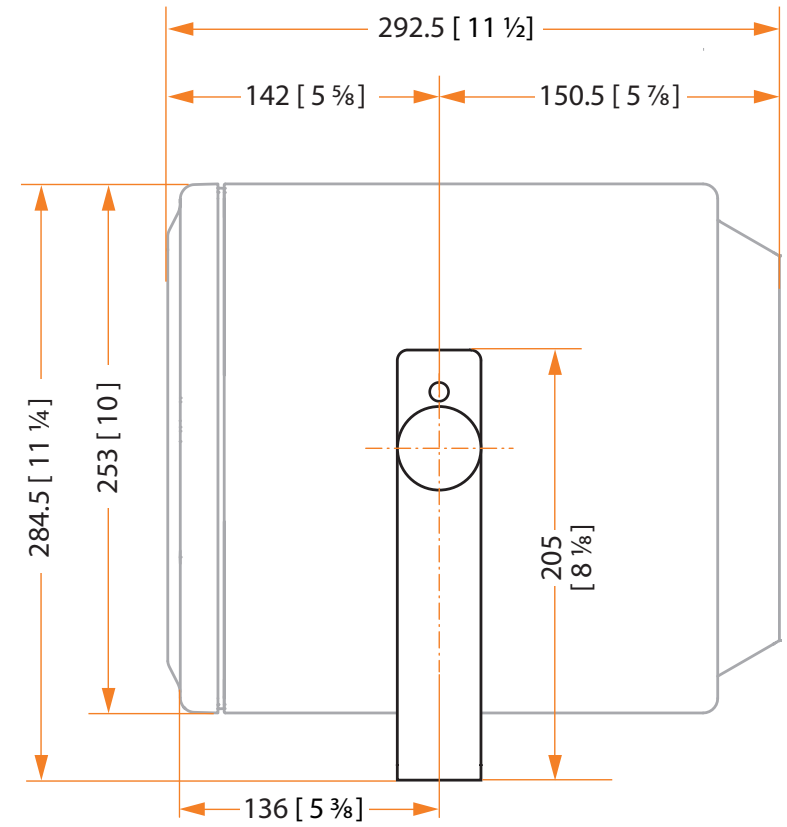
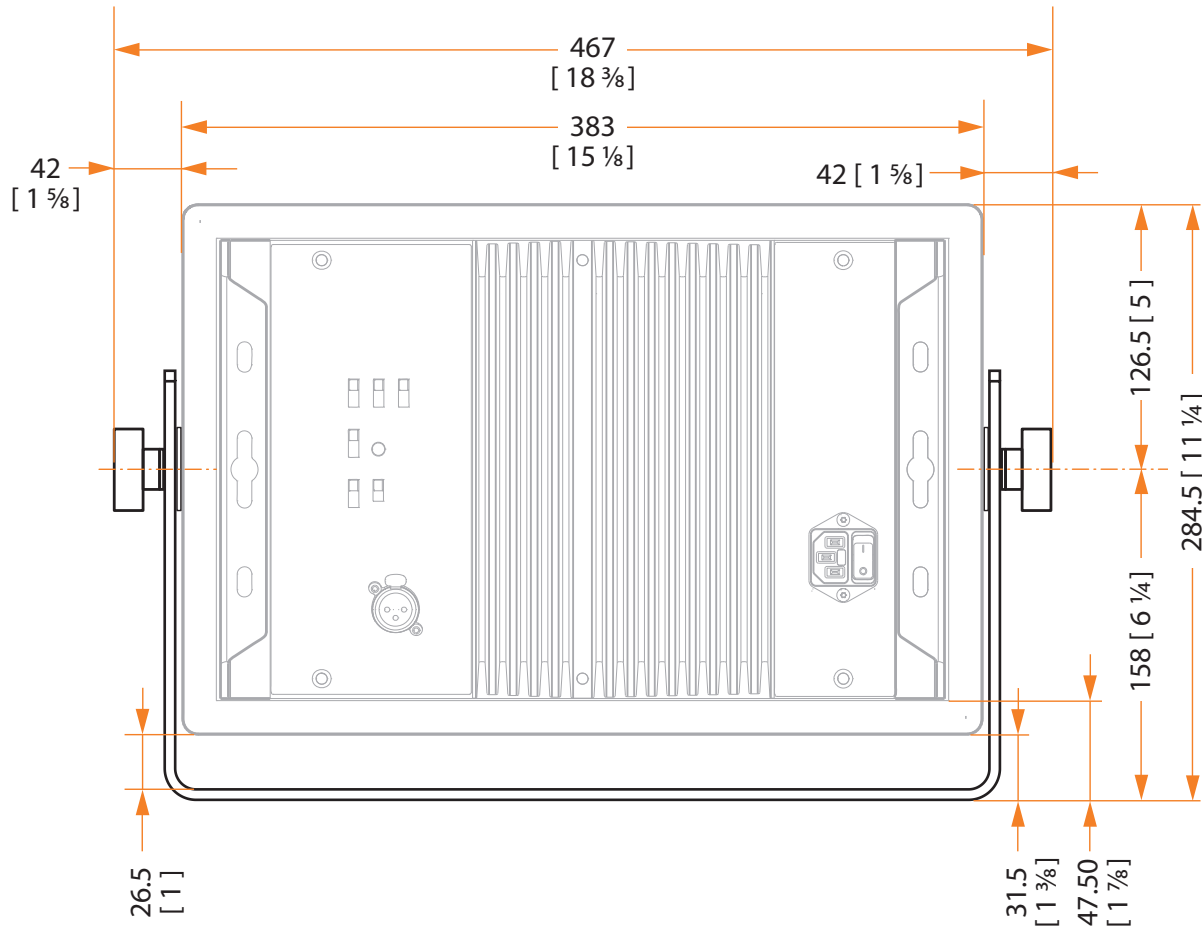


LH 25 bottom position





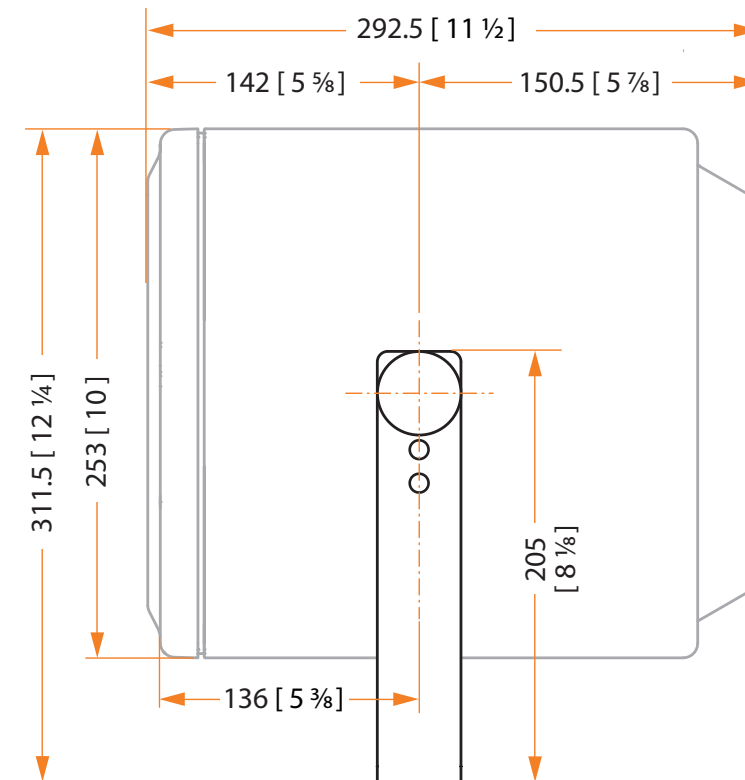
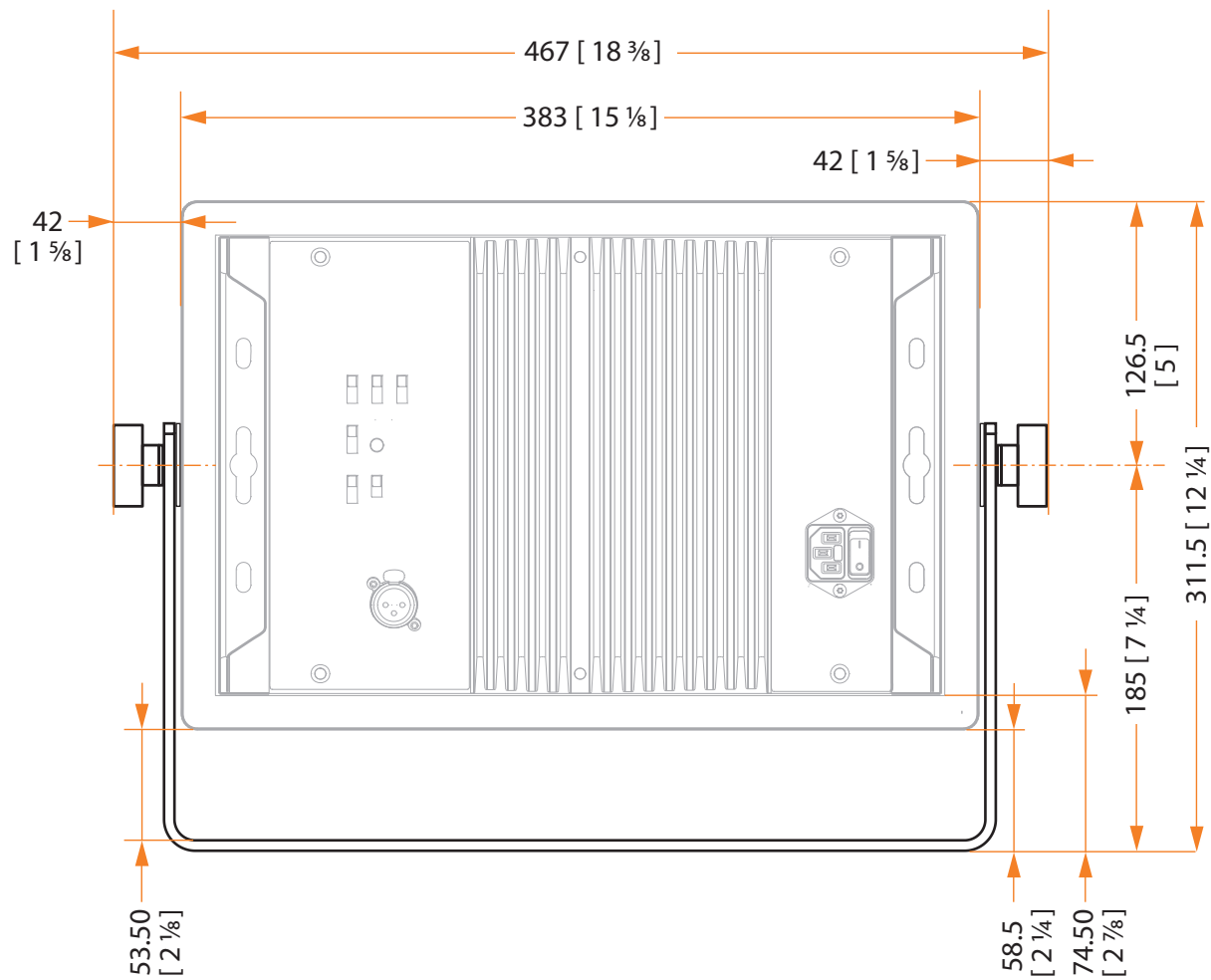
LH 25 middle position



mm
[inch]



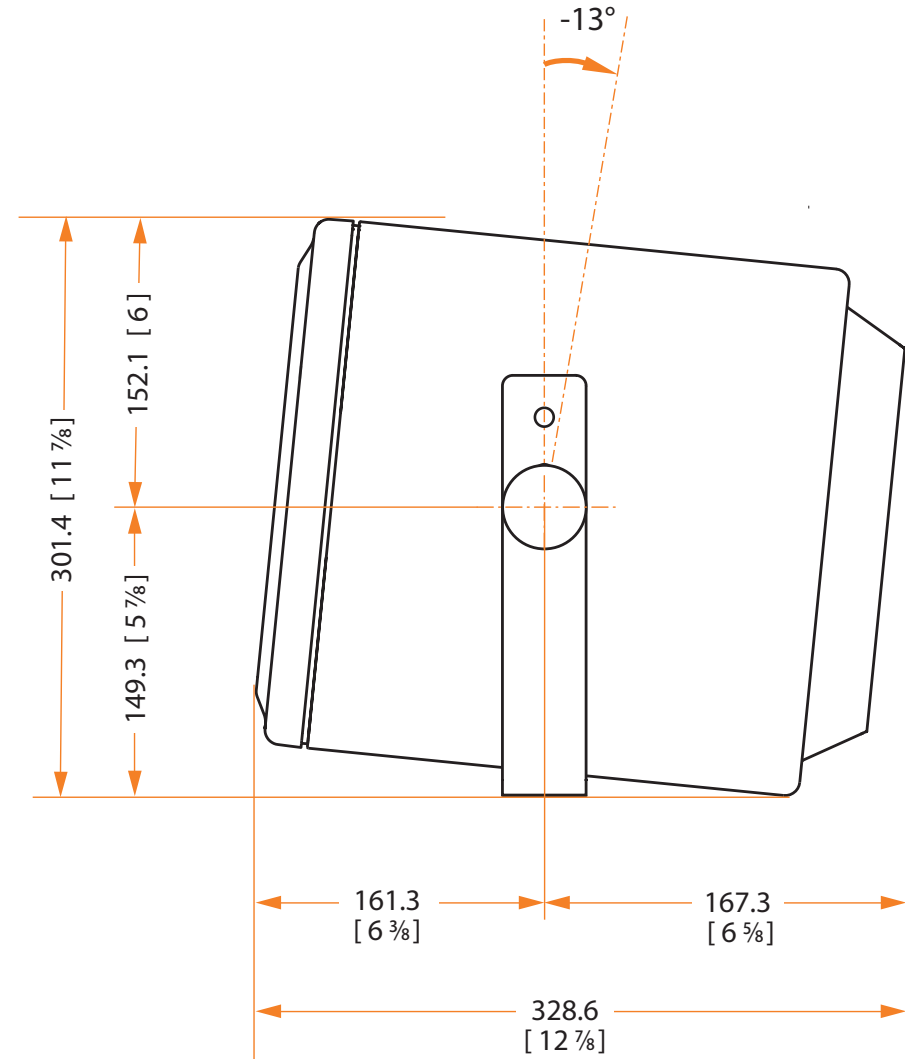
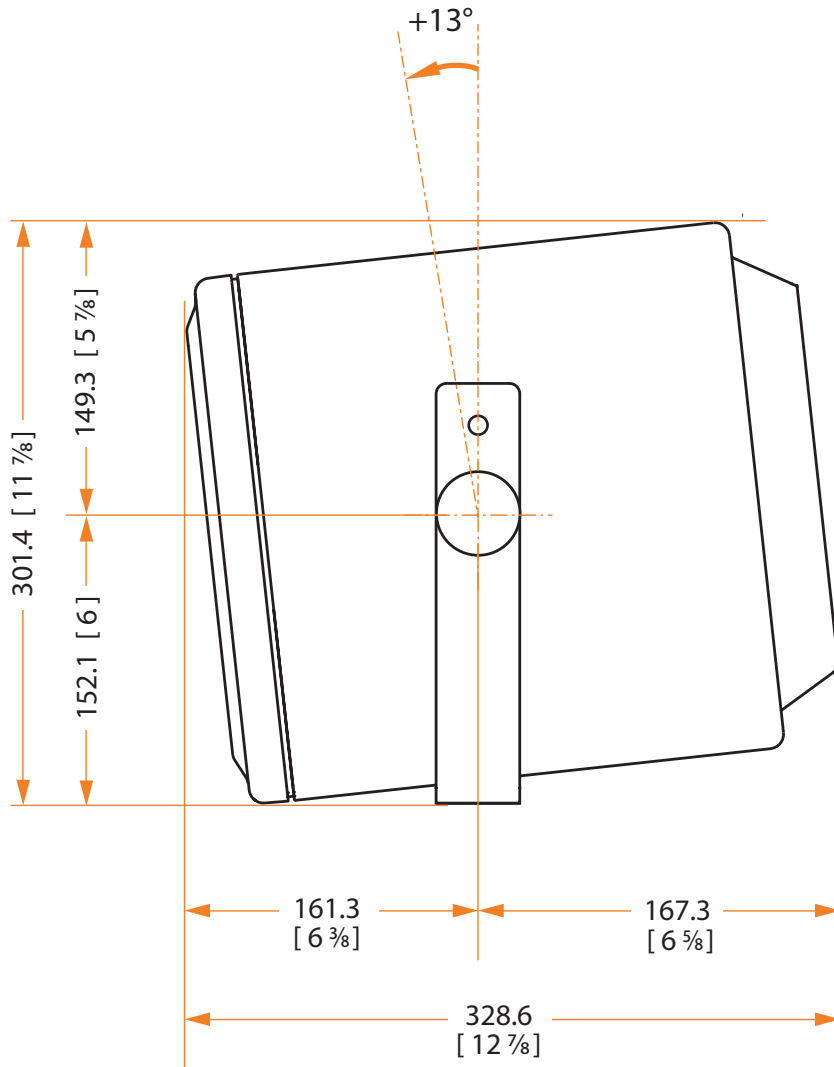
LH 25 top position



mm
[inch]



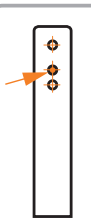
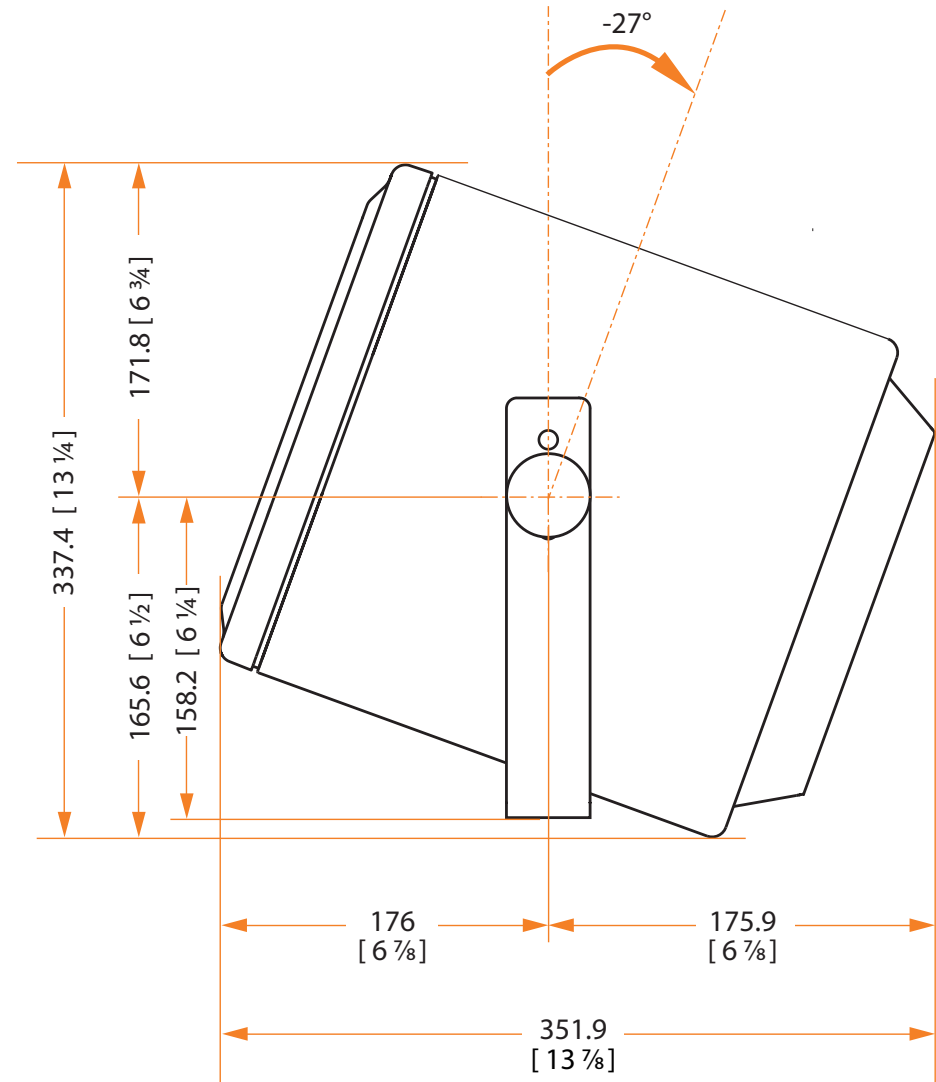
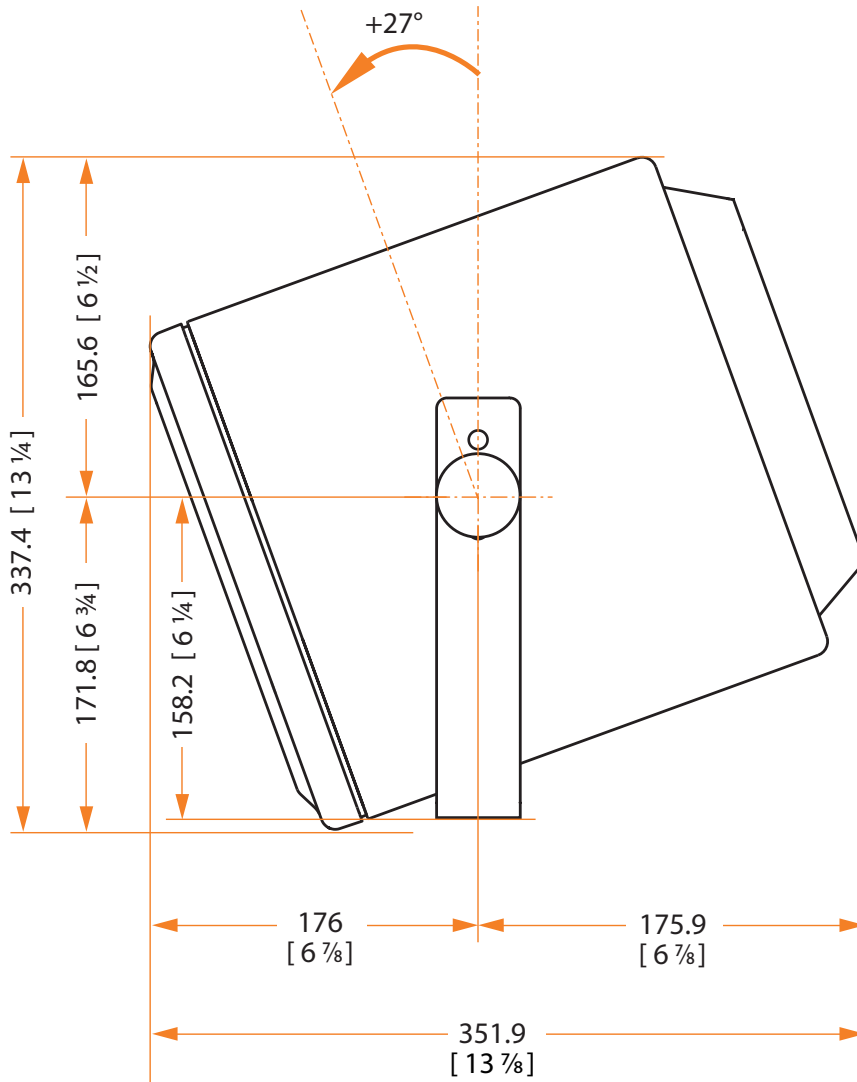
LH 25 bottom position



mm
[inch]



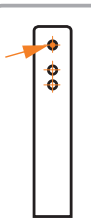
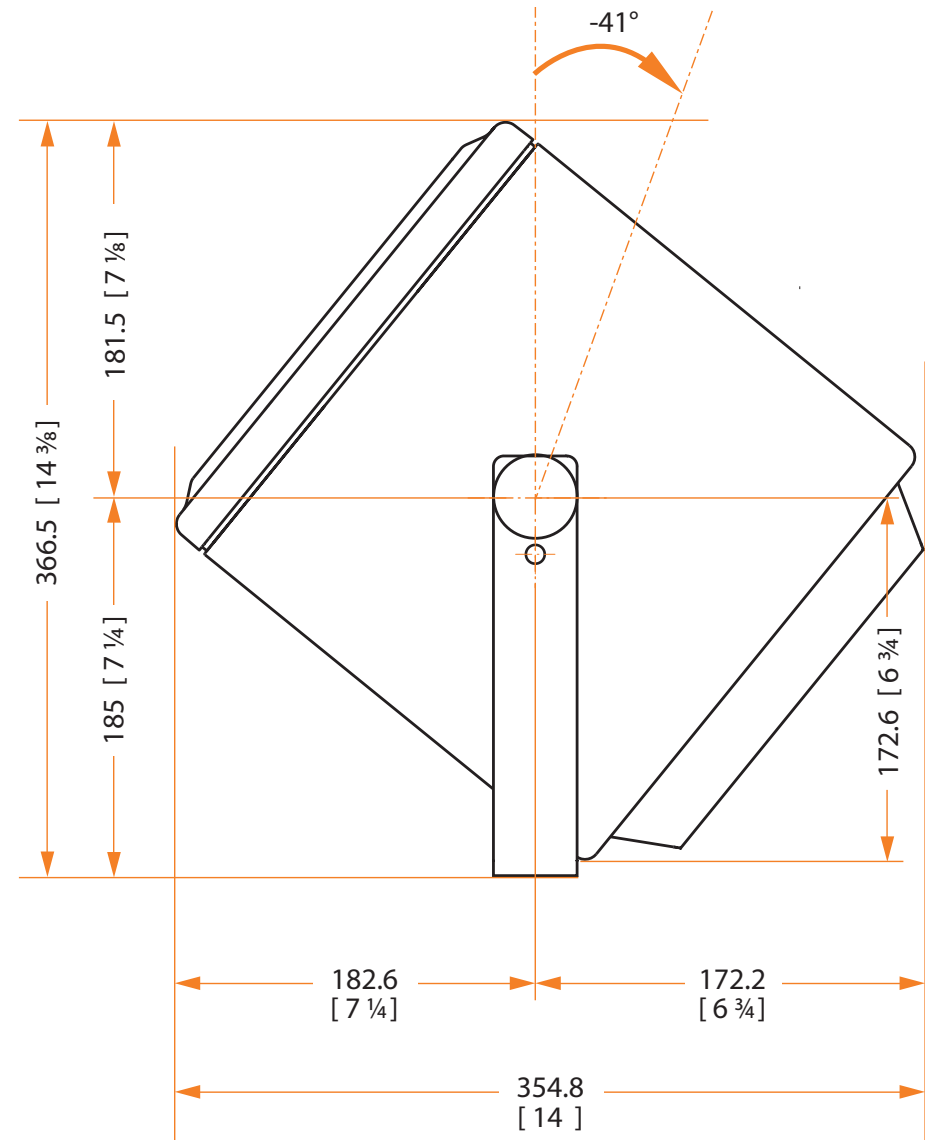
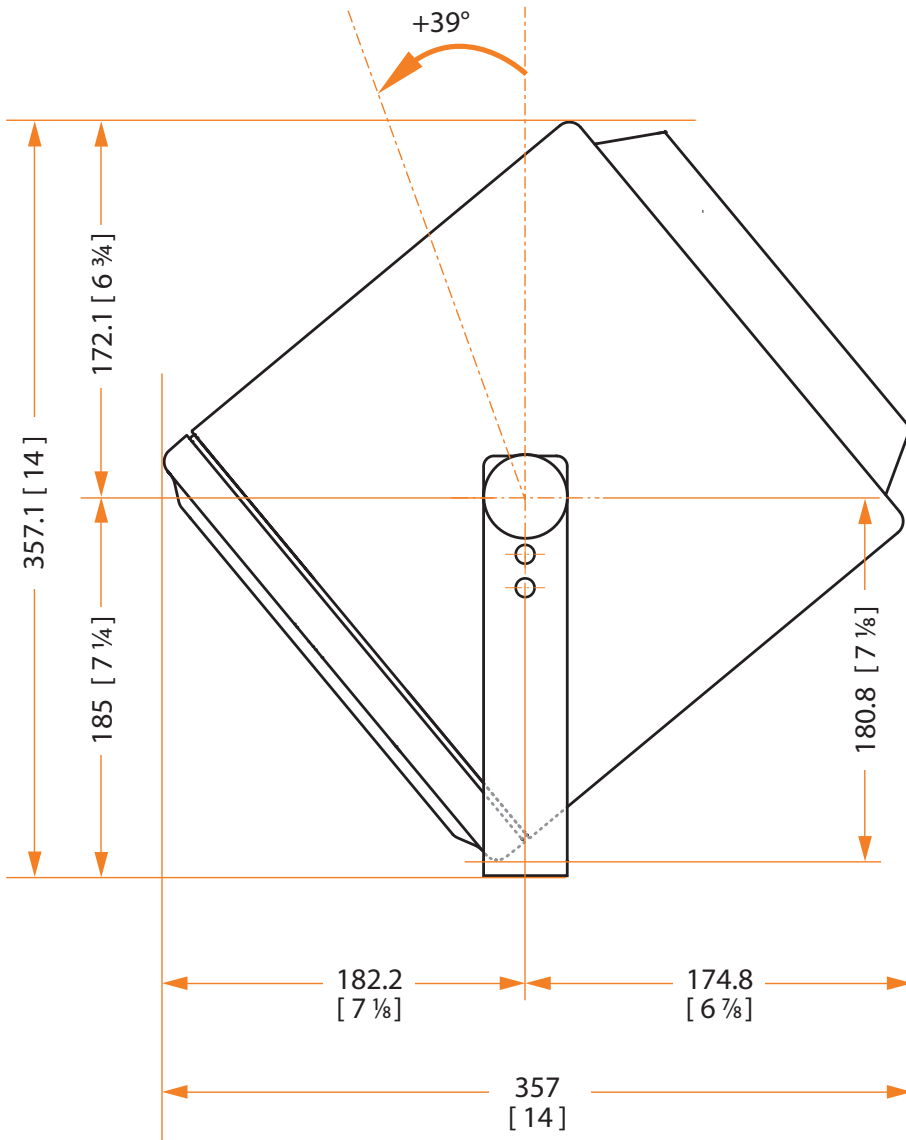
LH 25 middle position



mm
[inch]



LH 25 top position



mm
[inch]