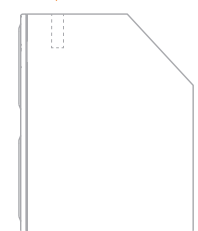
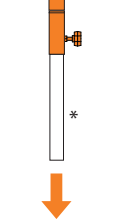
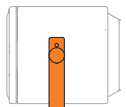


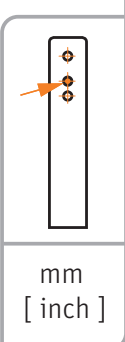
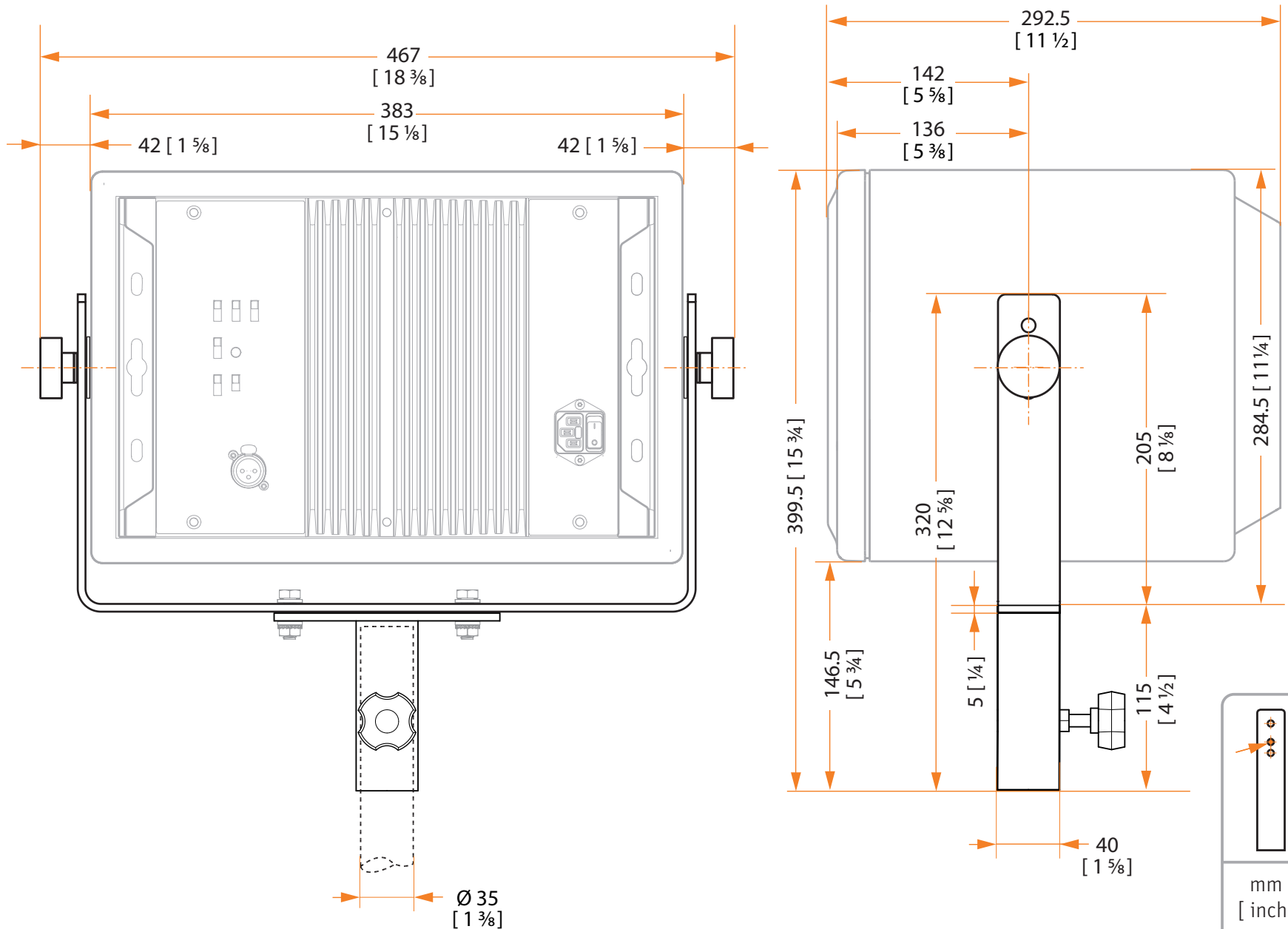
LH 25



LH 28

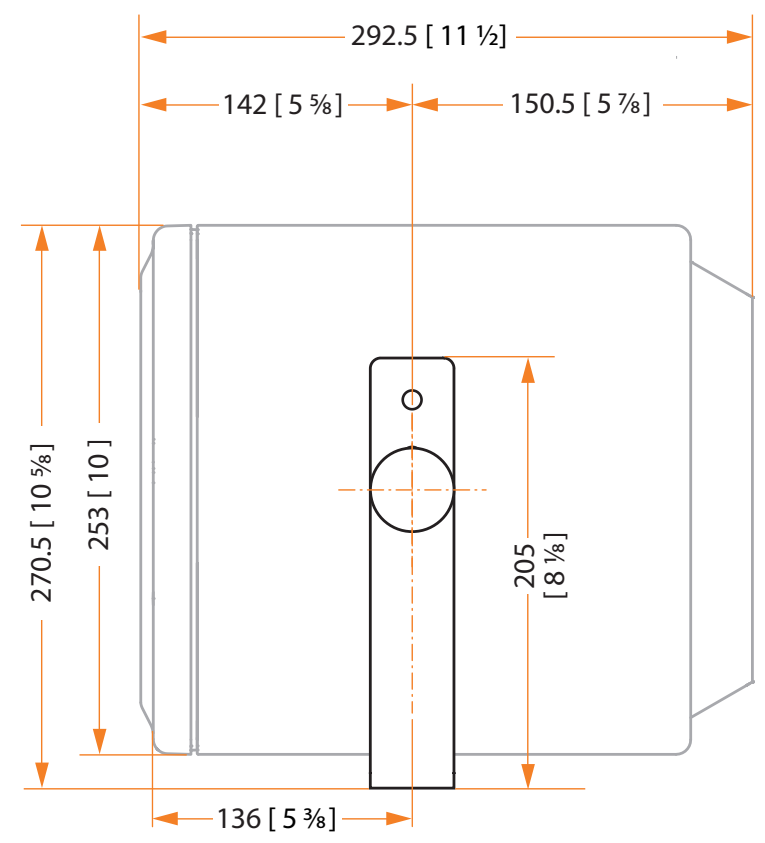
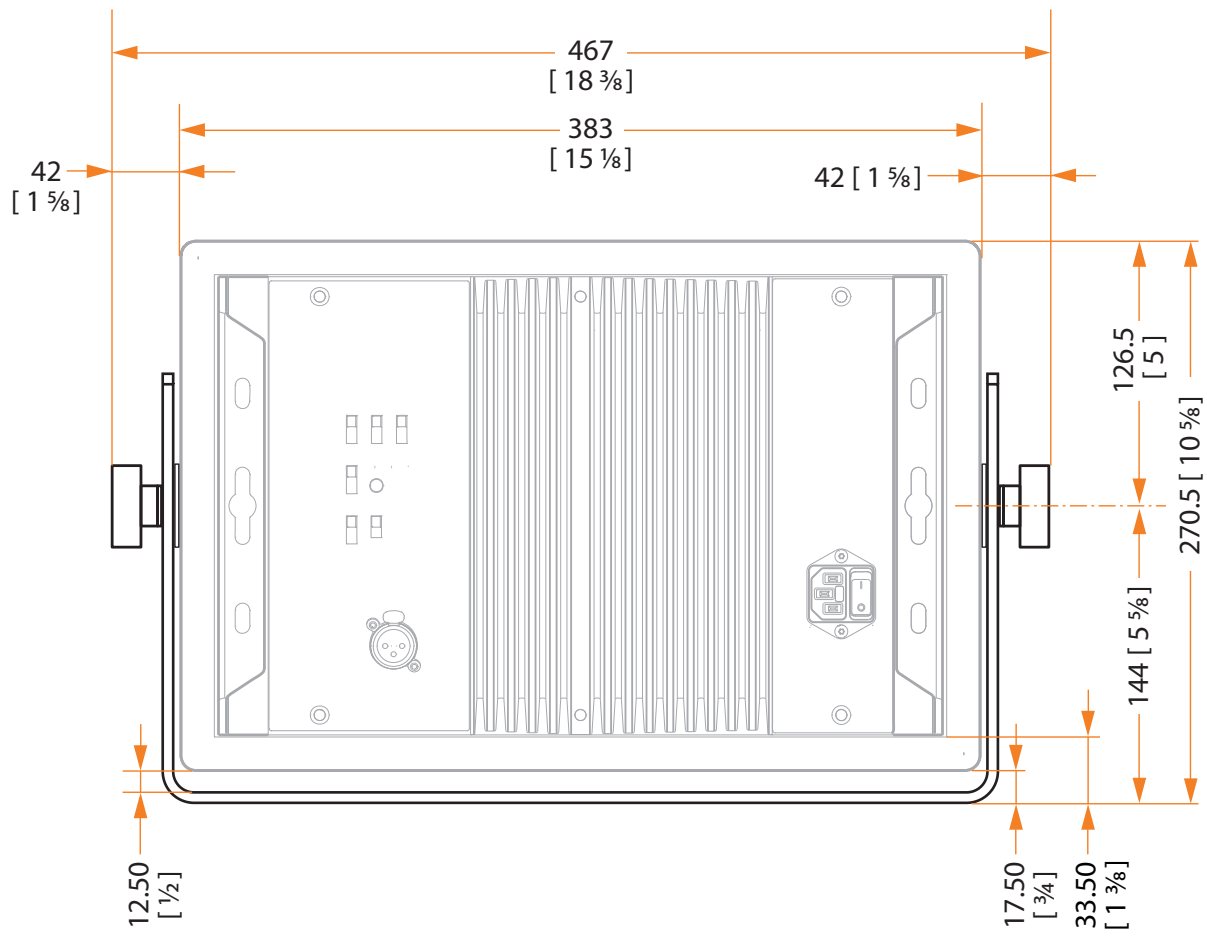


\* 35 mm outside diameter pole sourced from third parties





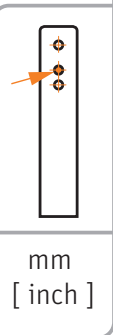
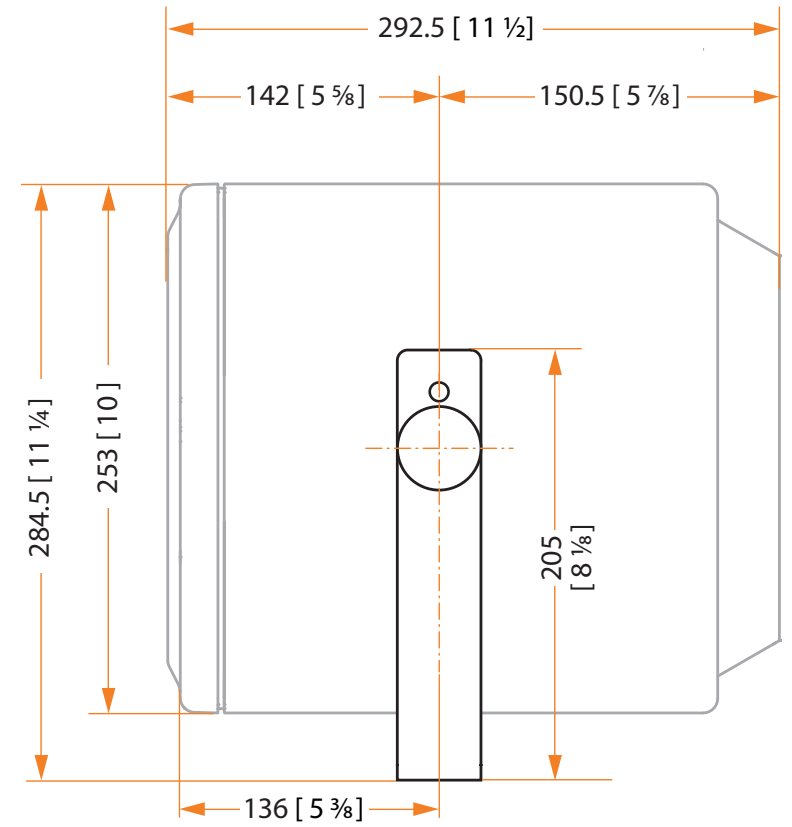
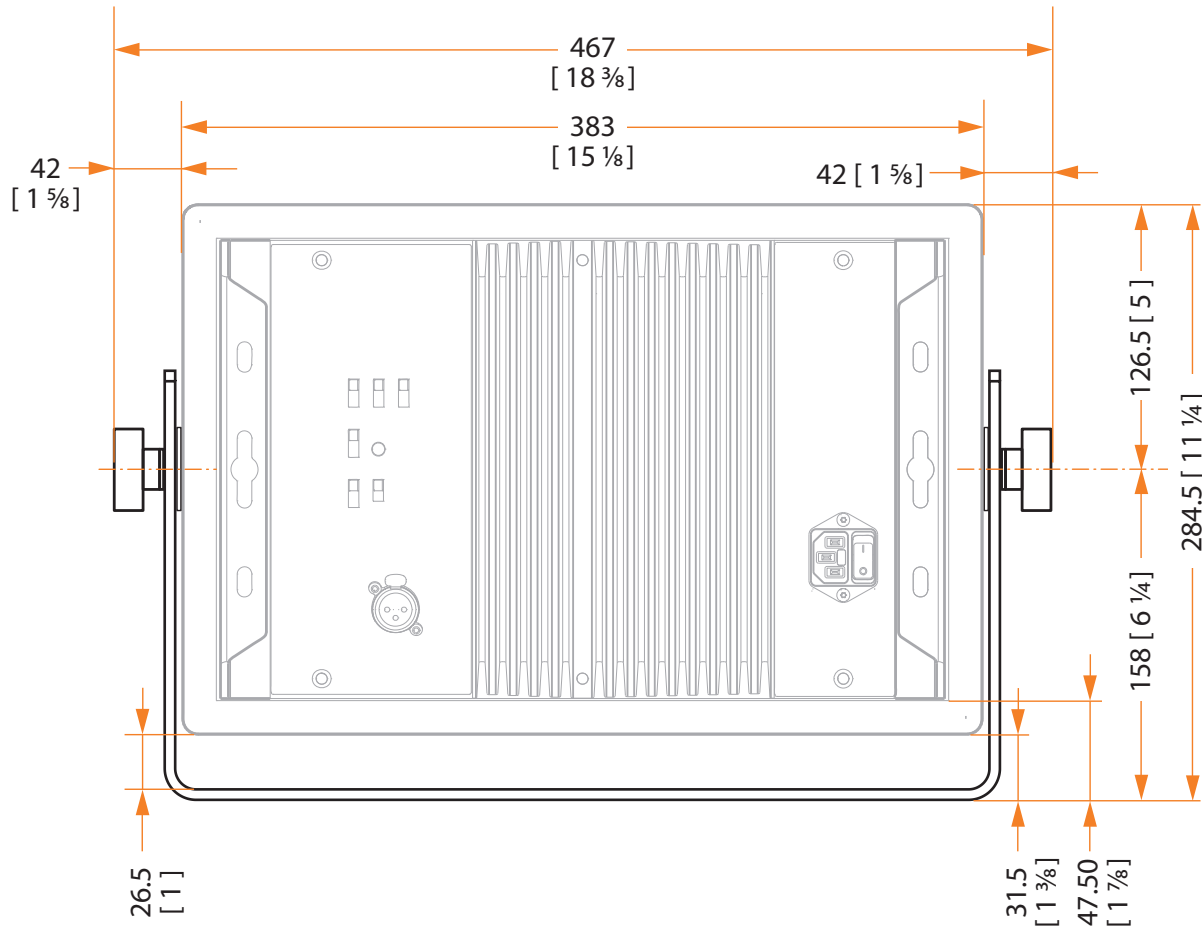
LH 25 bottom position



mm  
[ inch ]

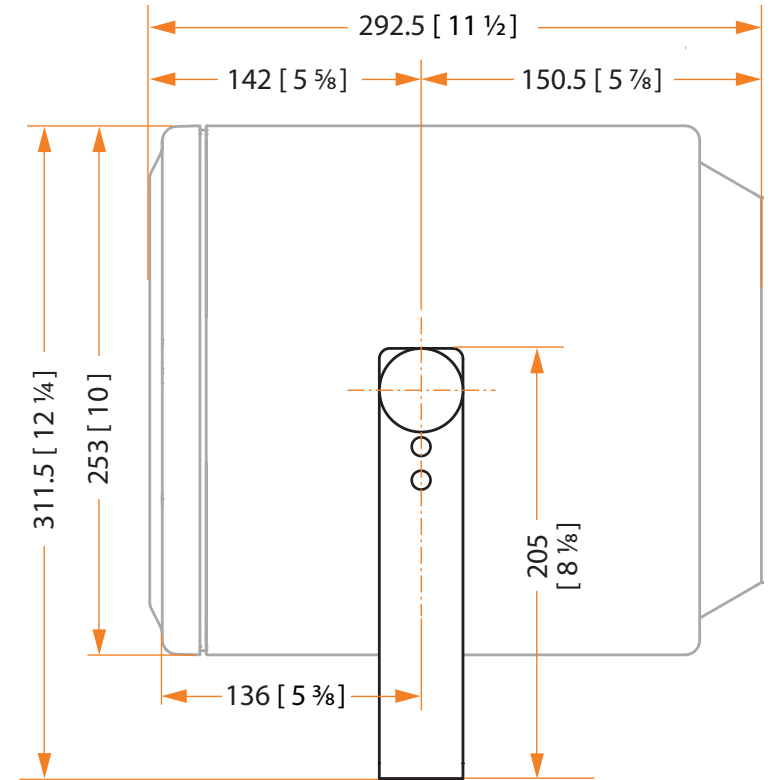
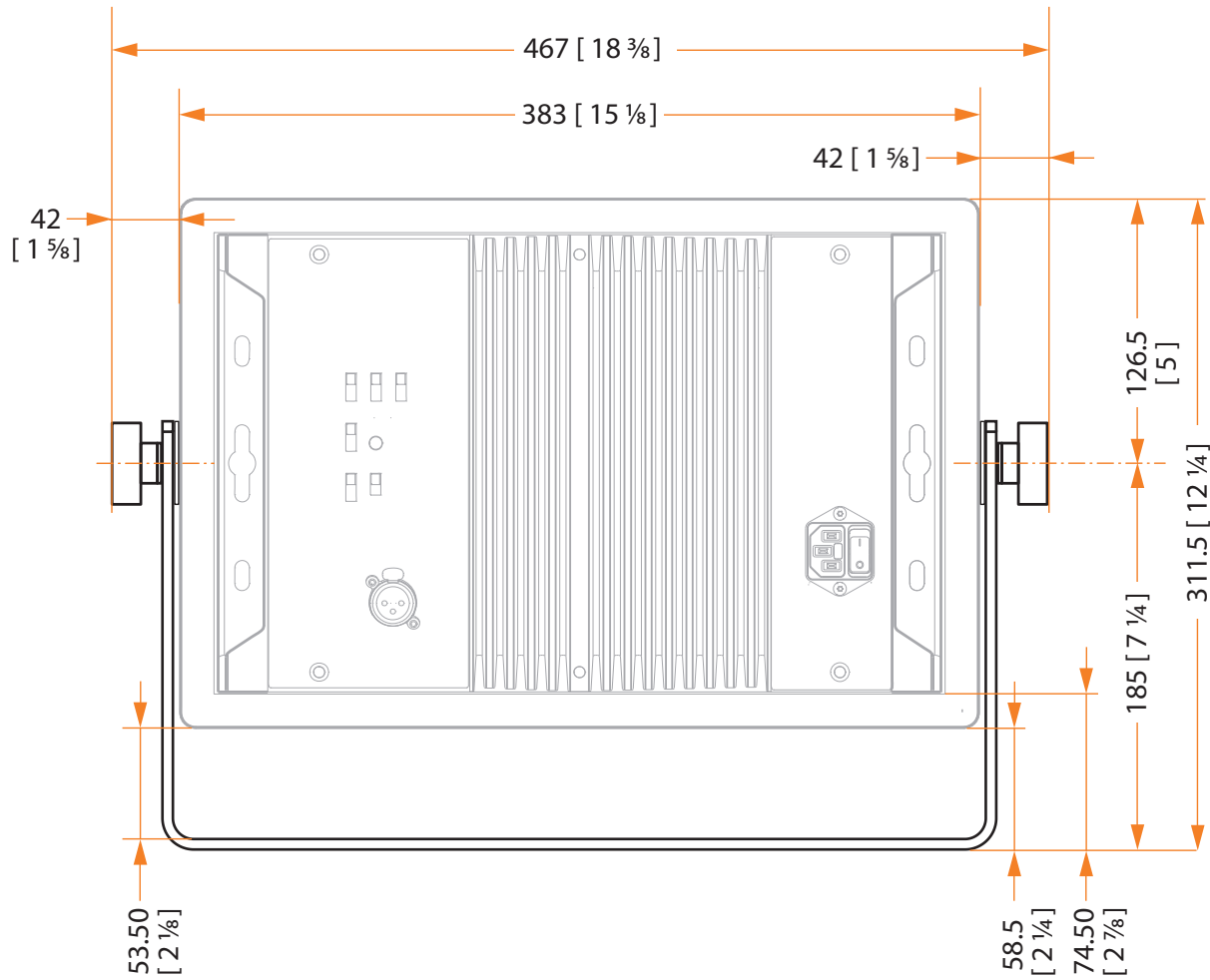


LH 25 middle position





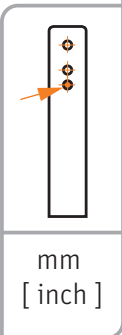
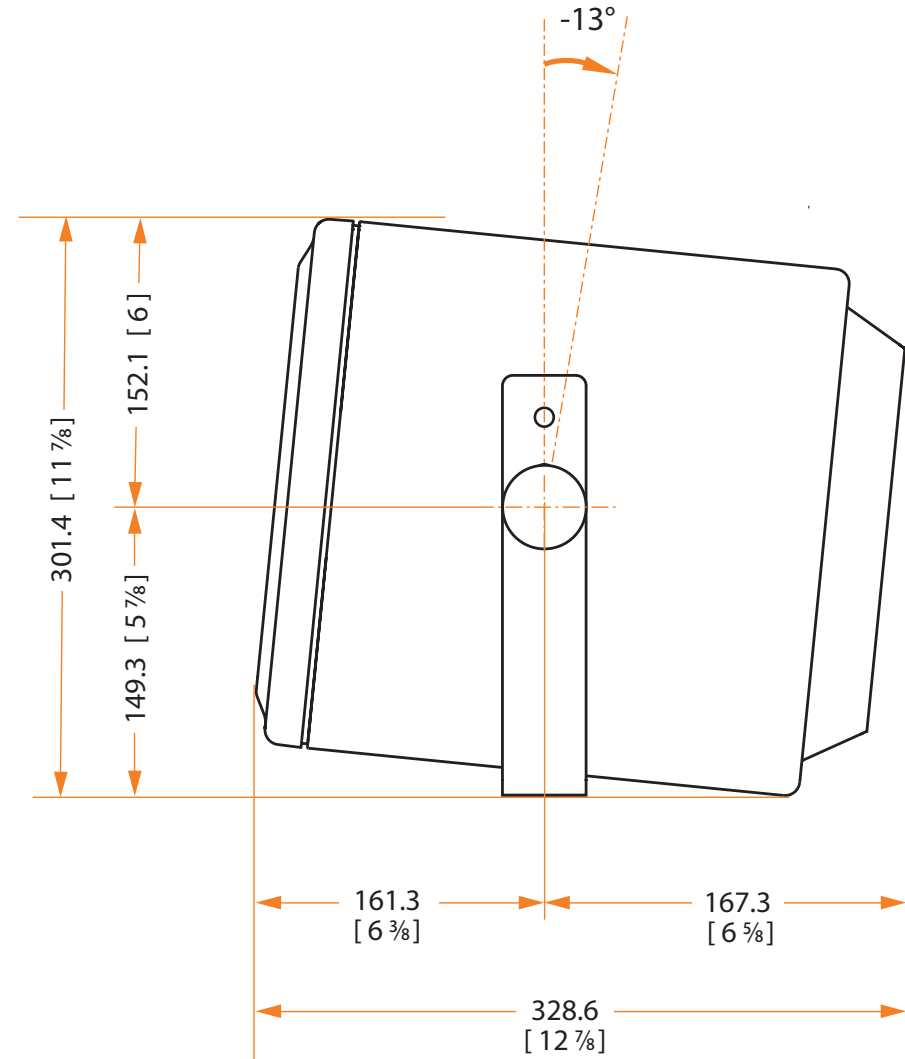
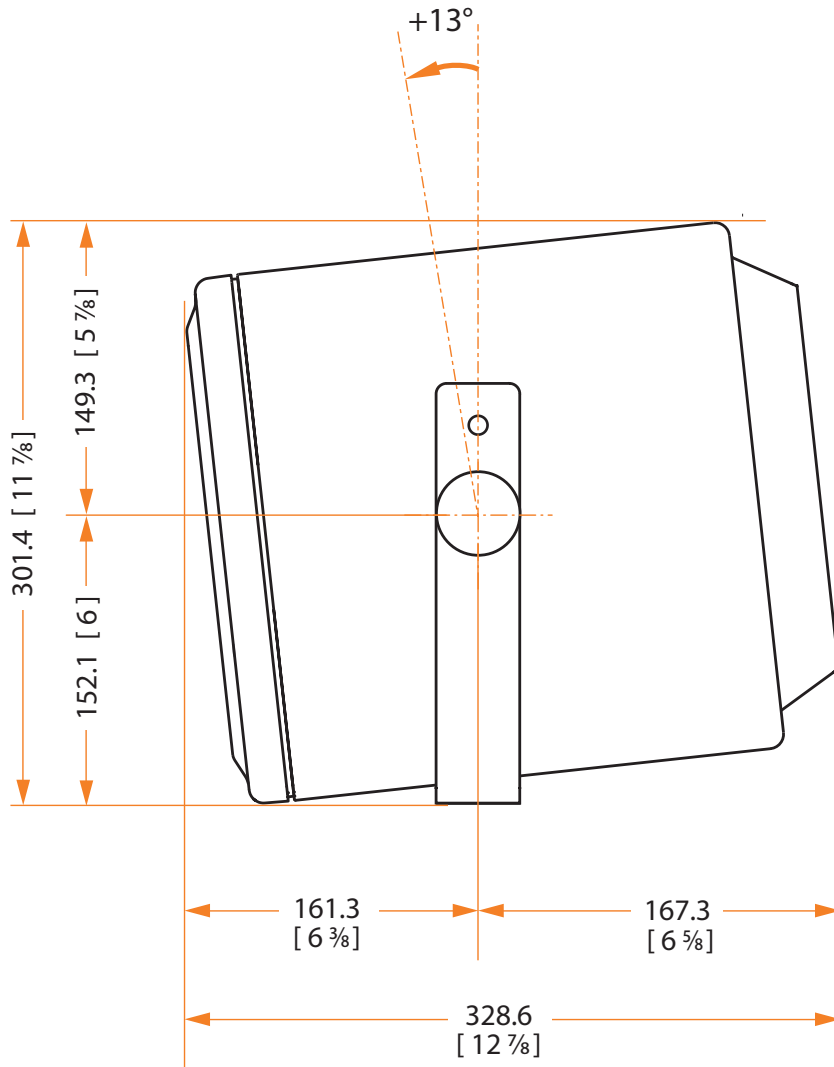
LH 25 top position



mm  
[ inch ]

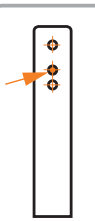
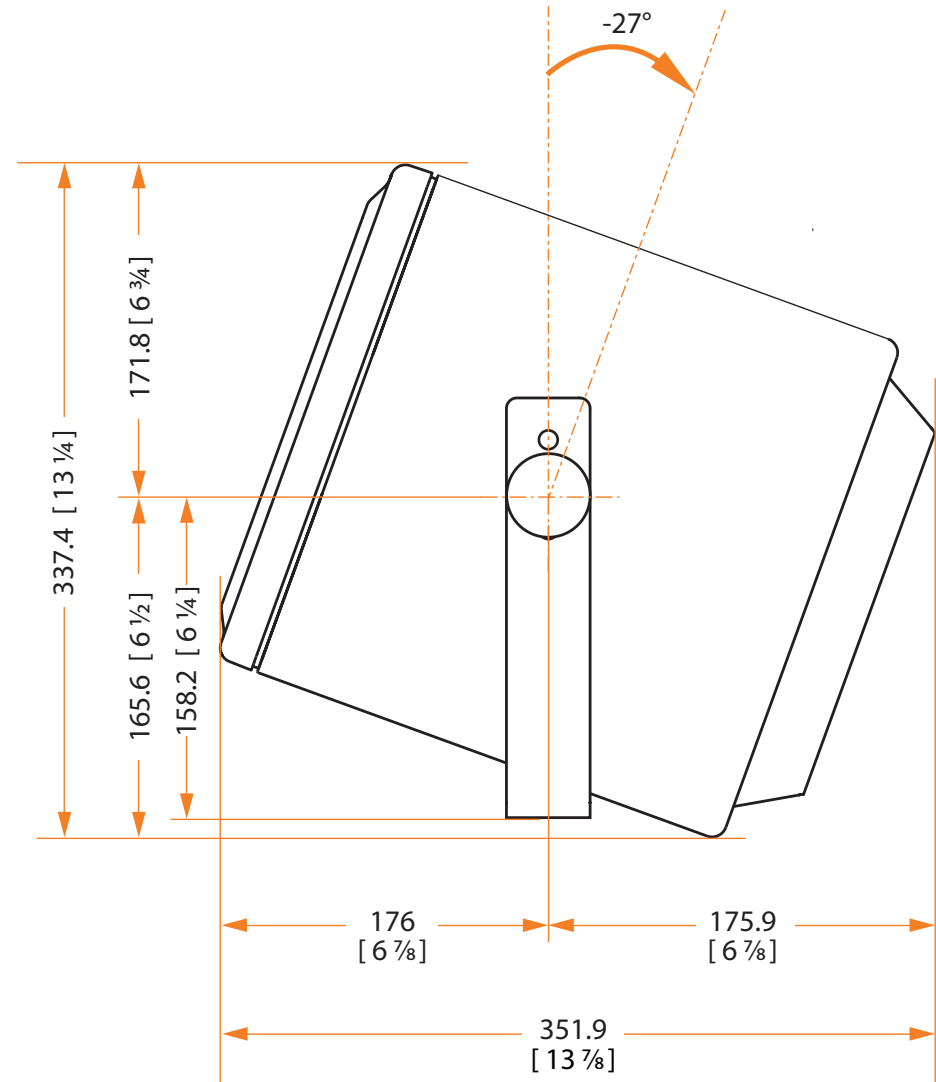
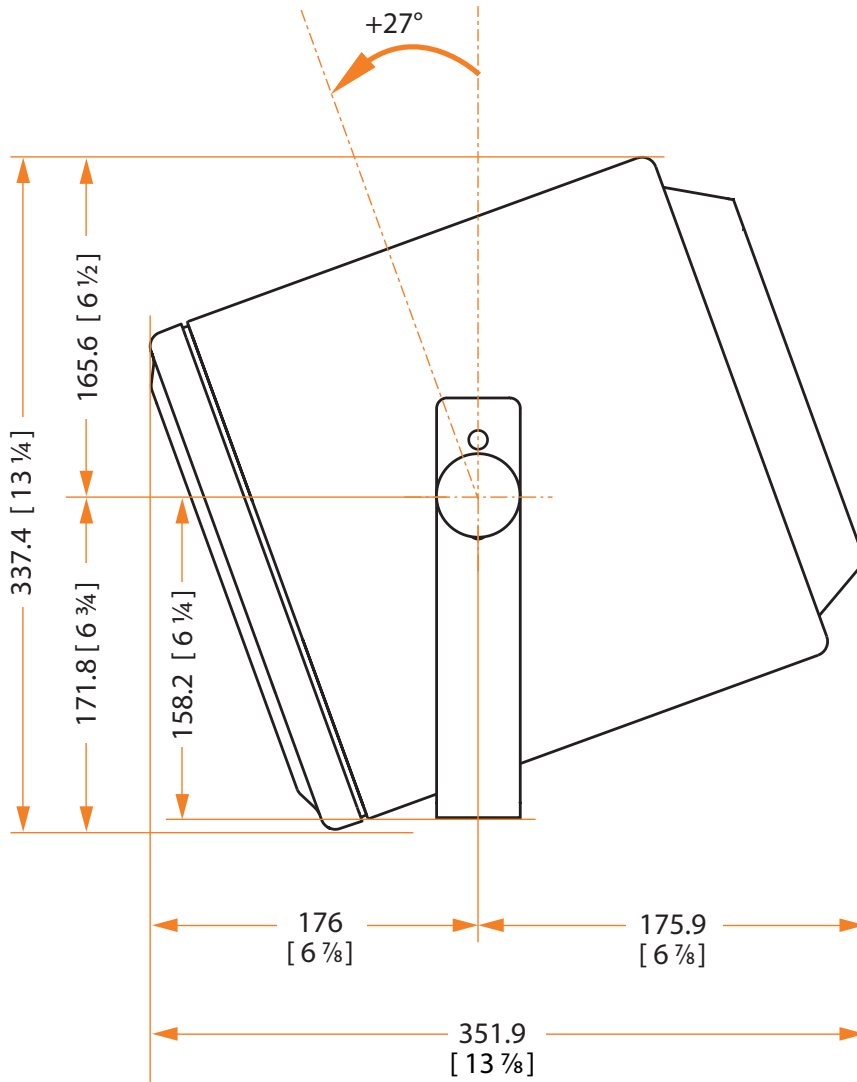


LH 25 bottom position





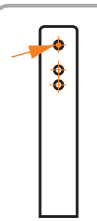
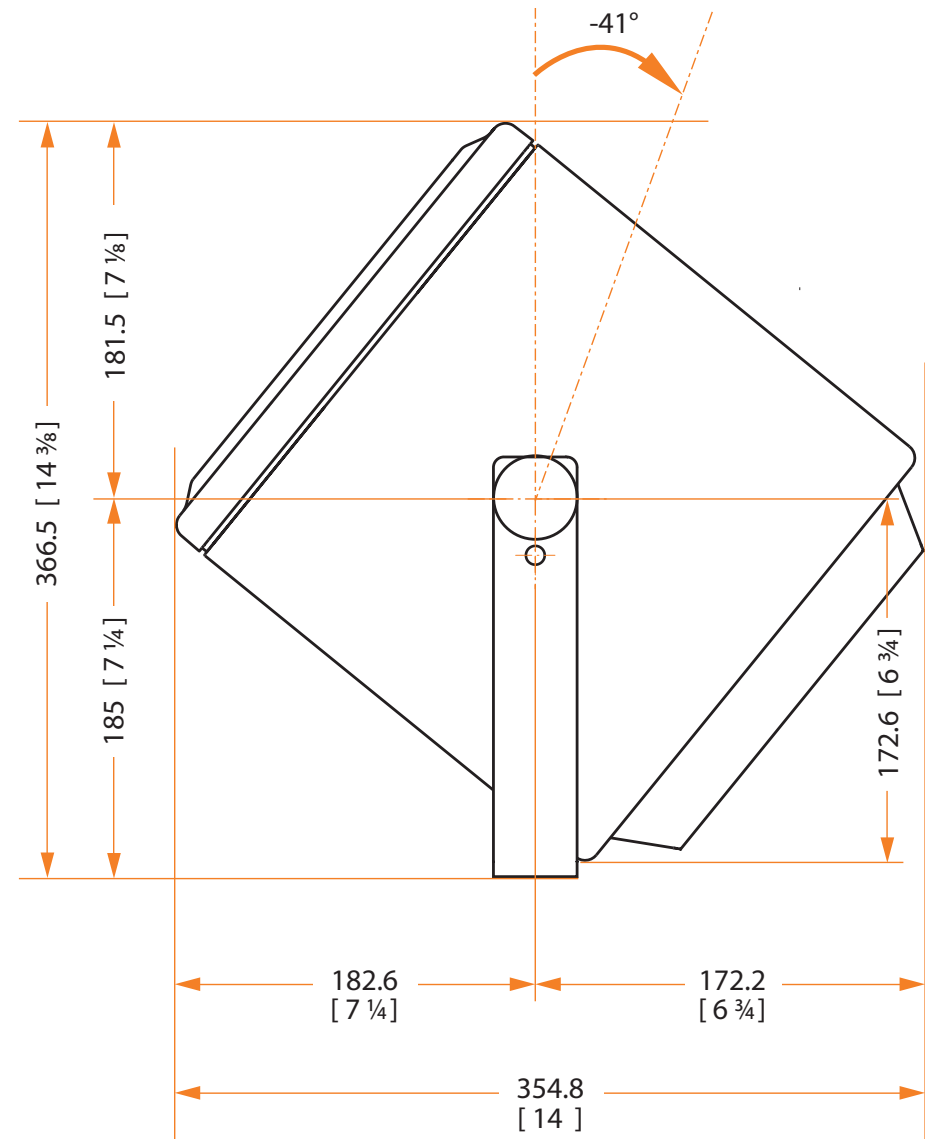
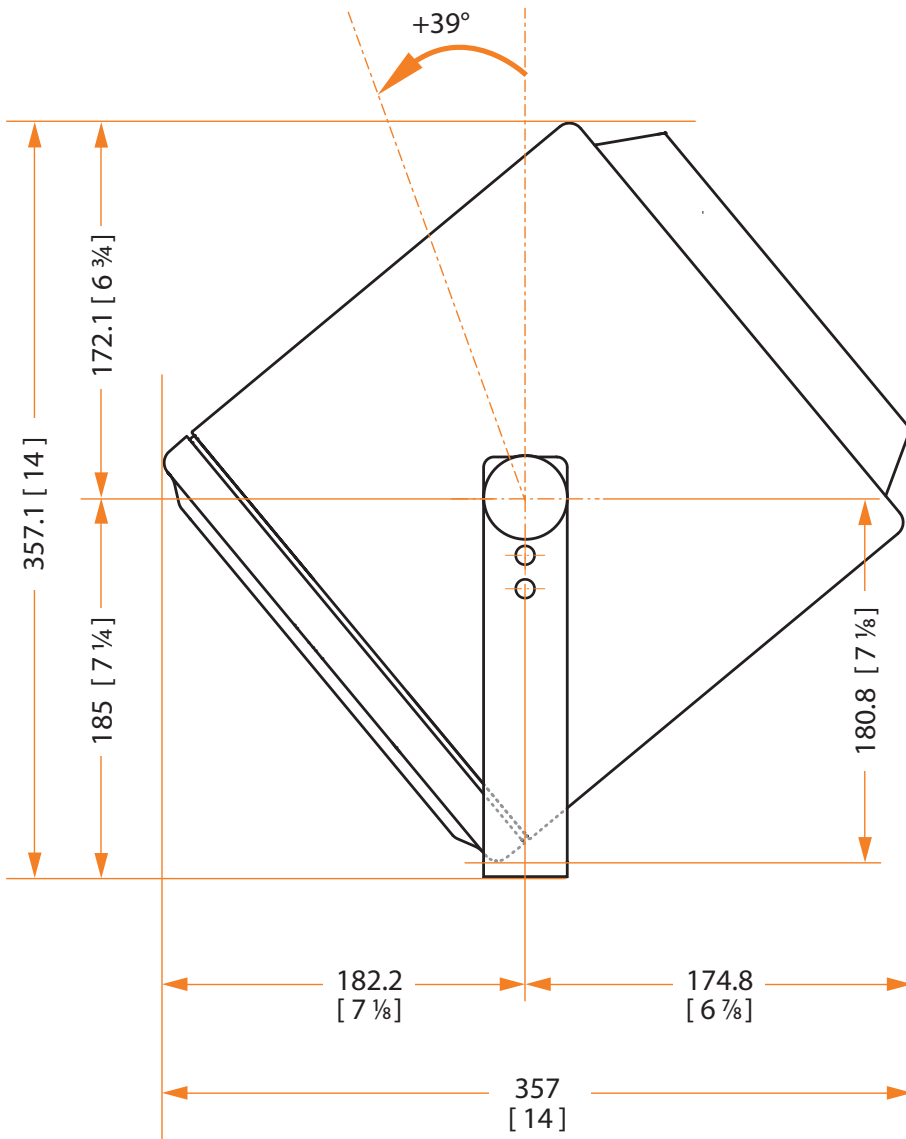
LH 25 middle position



mm  
[ inch ]



LH 25 top position



mm  
[ inch ]