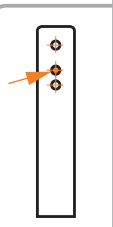


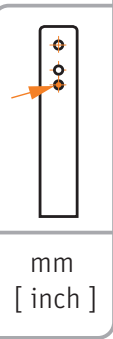
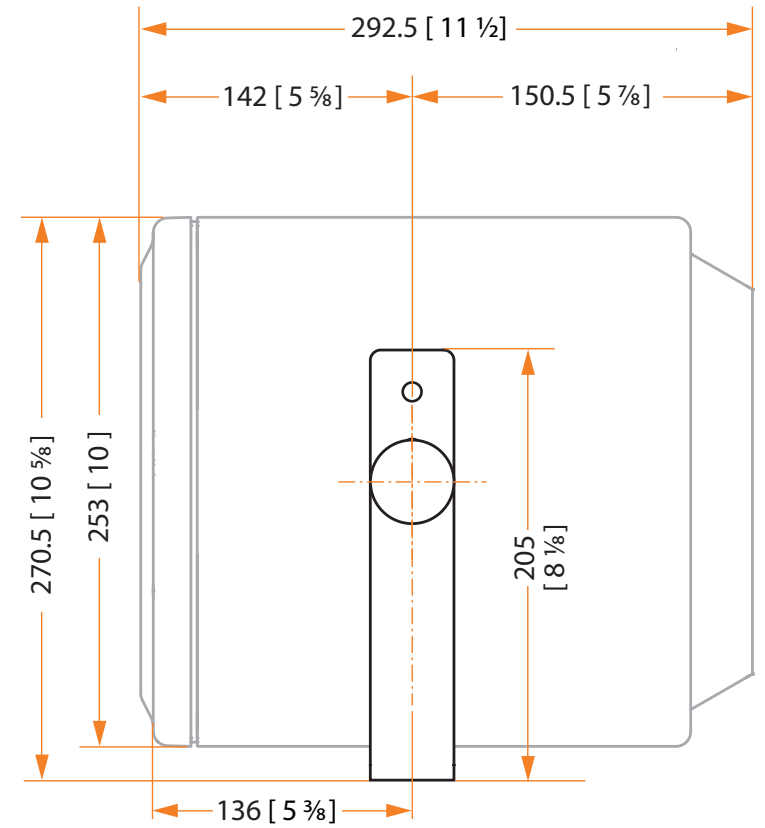
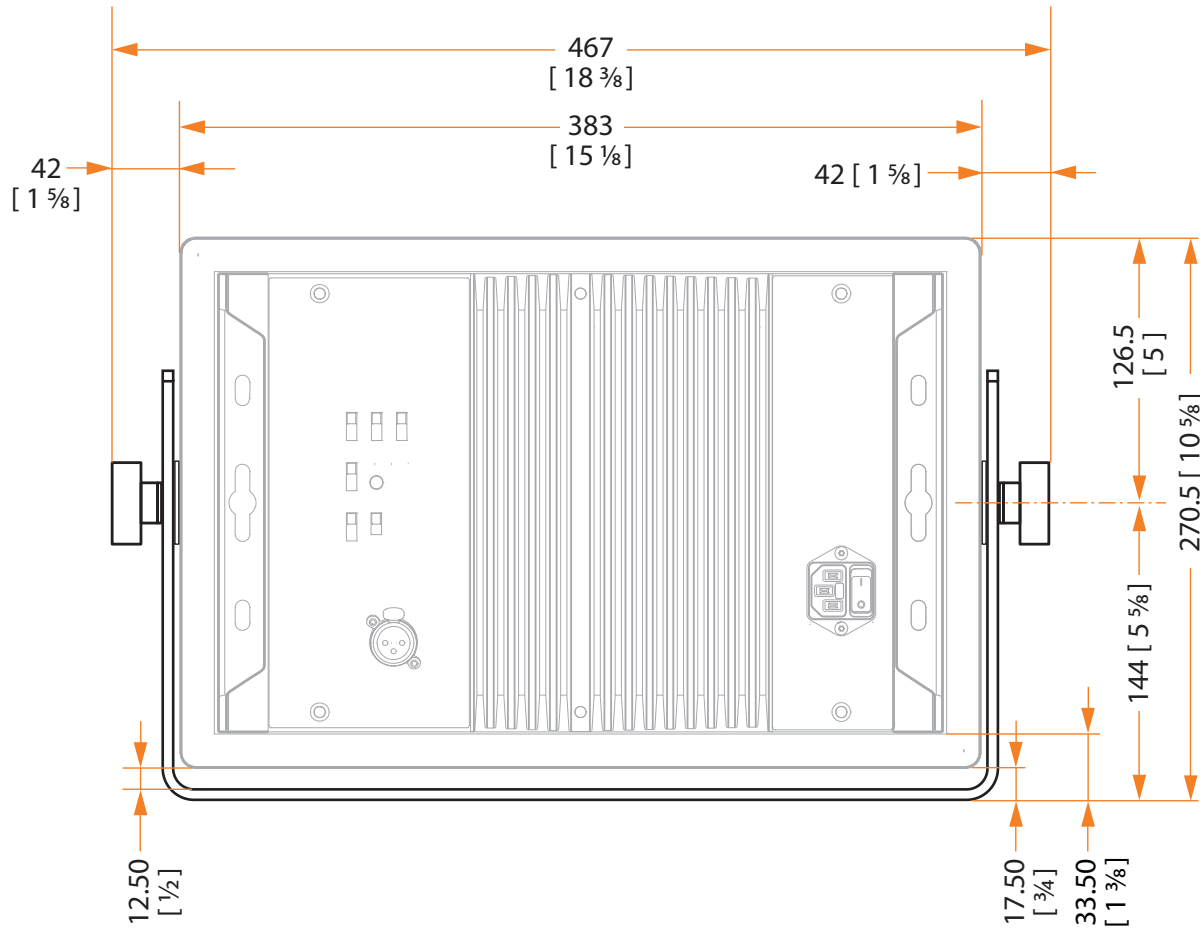
LH 43 must be screwed to the surface



mm [inch]

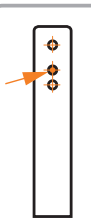
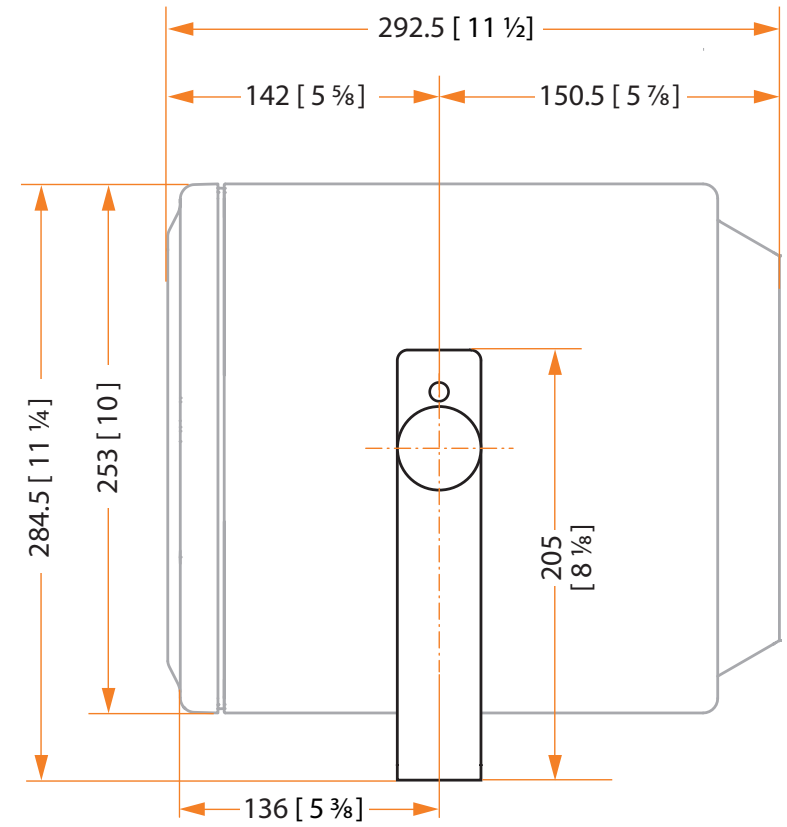
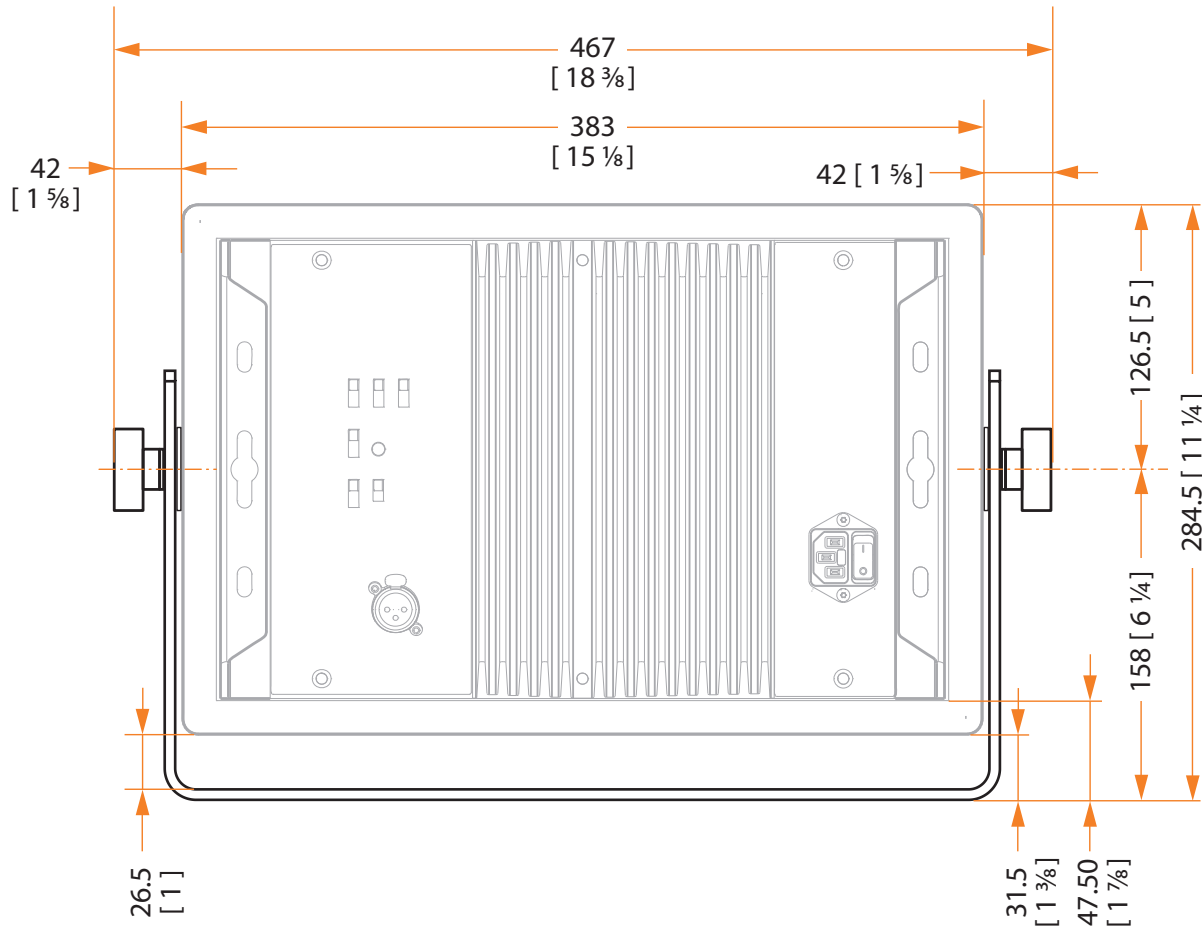


LH 25 bottom position





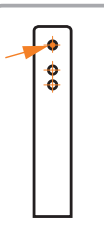
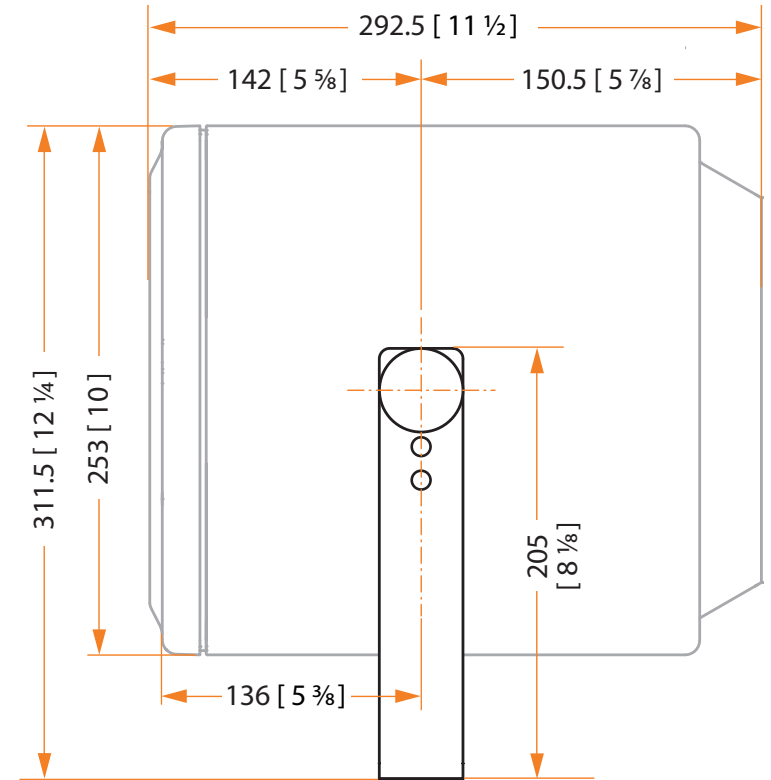
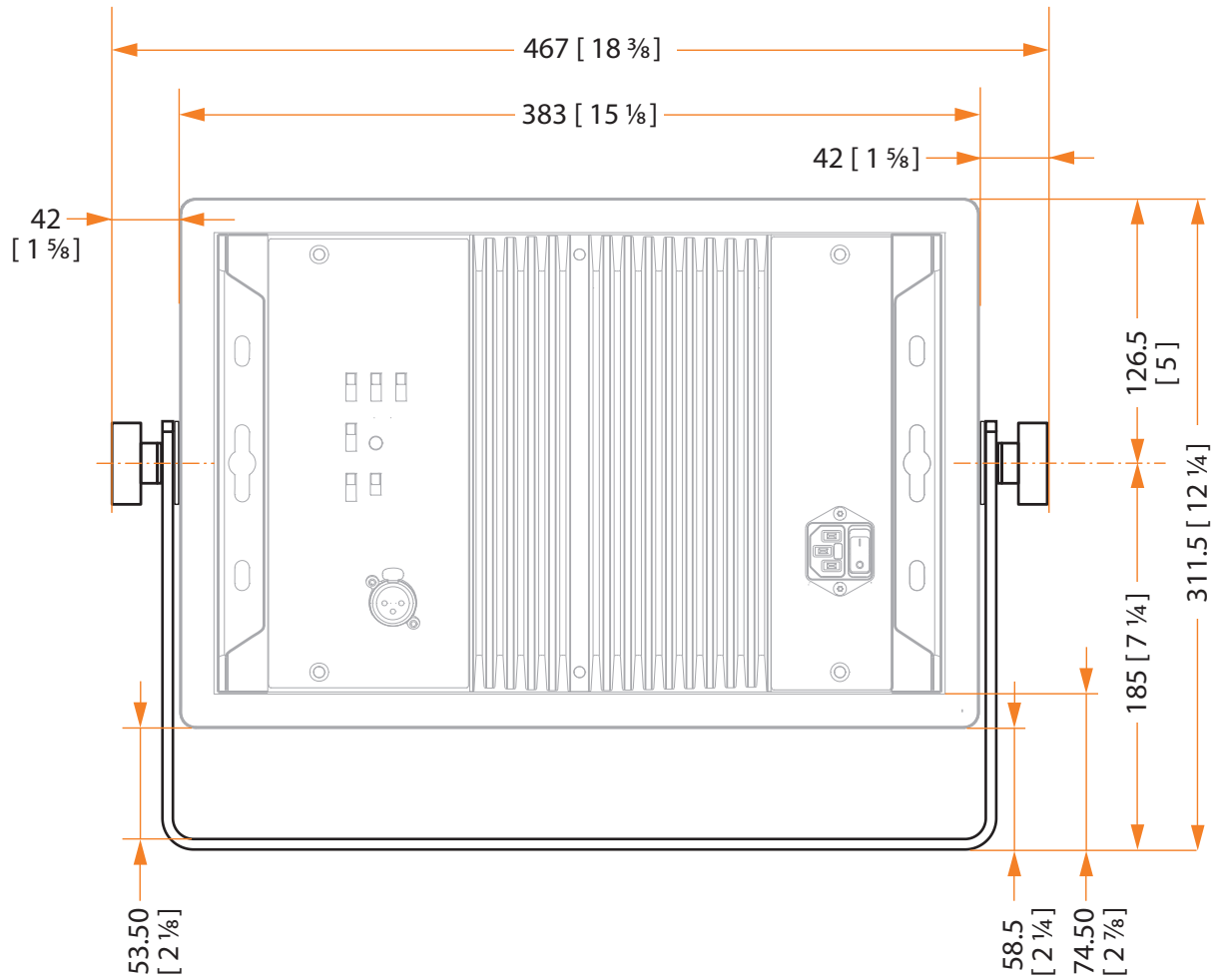
LH 25 middle position



mm
[inch]



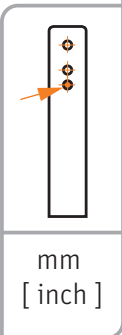
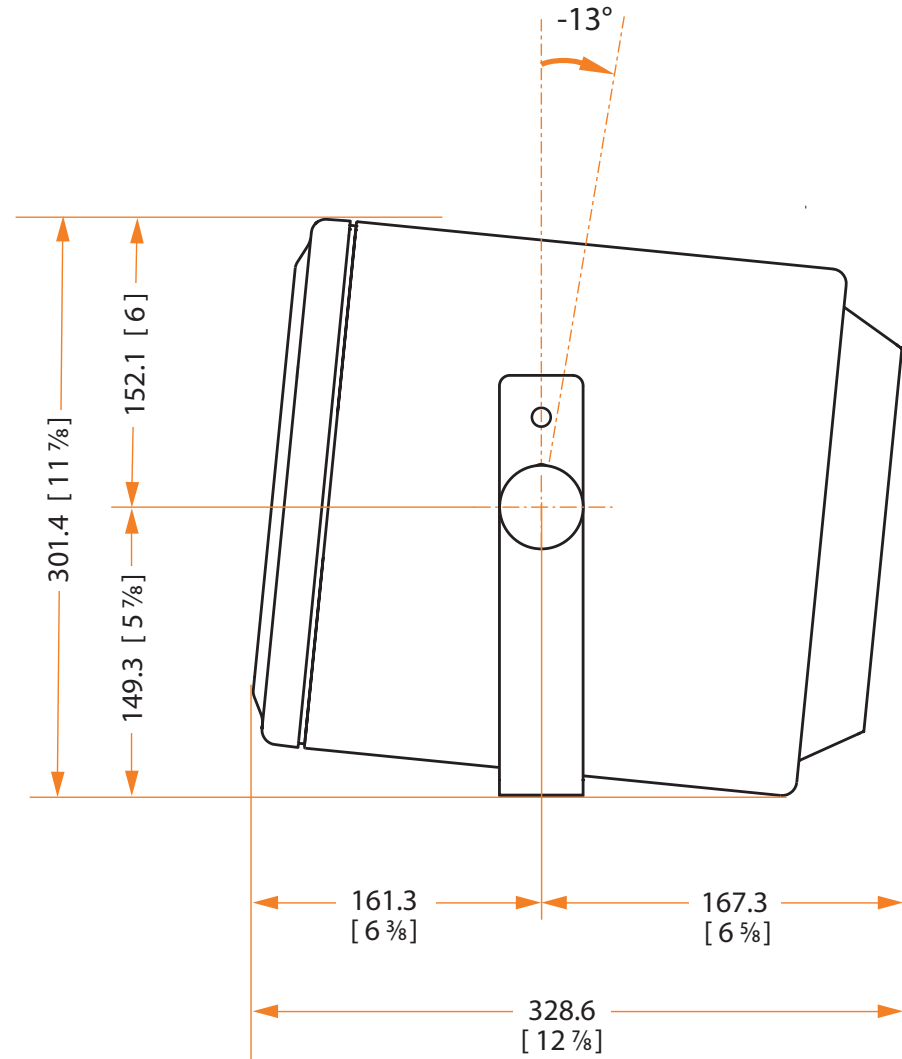
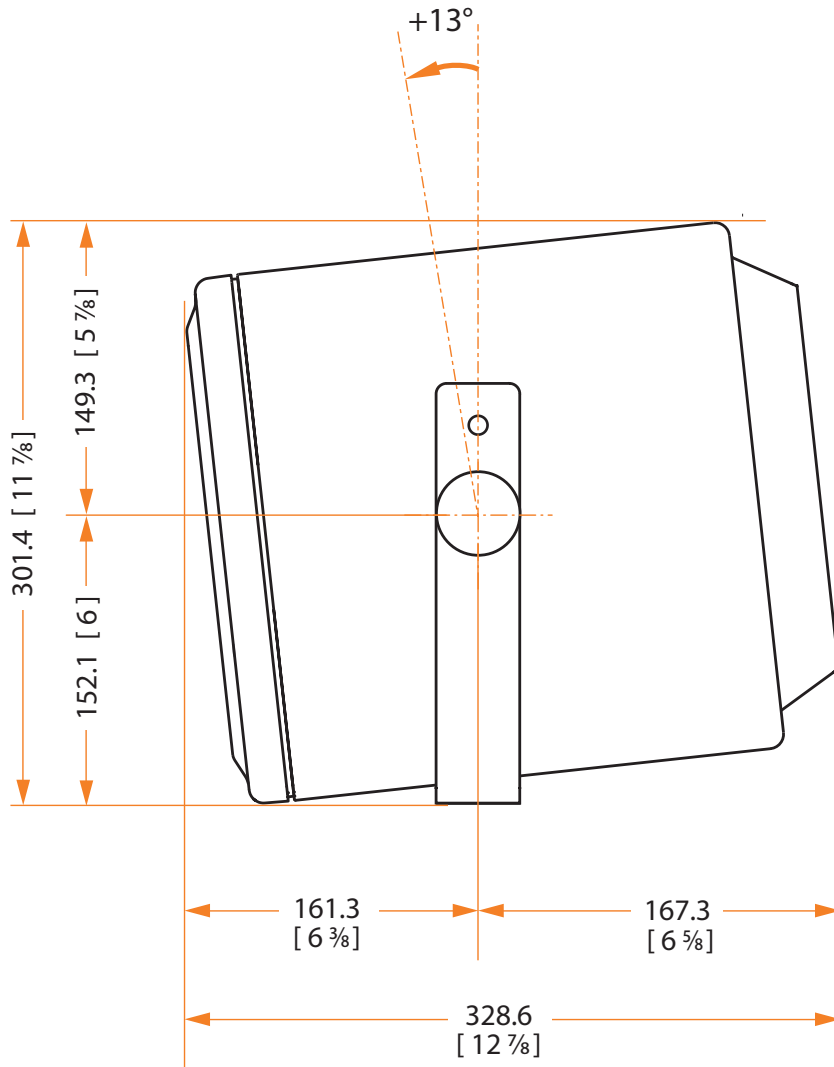
LH 25 top position



mm
[inch]

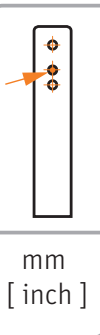
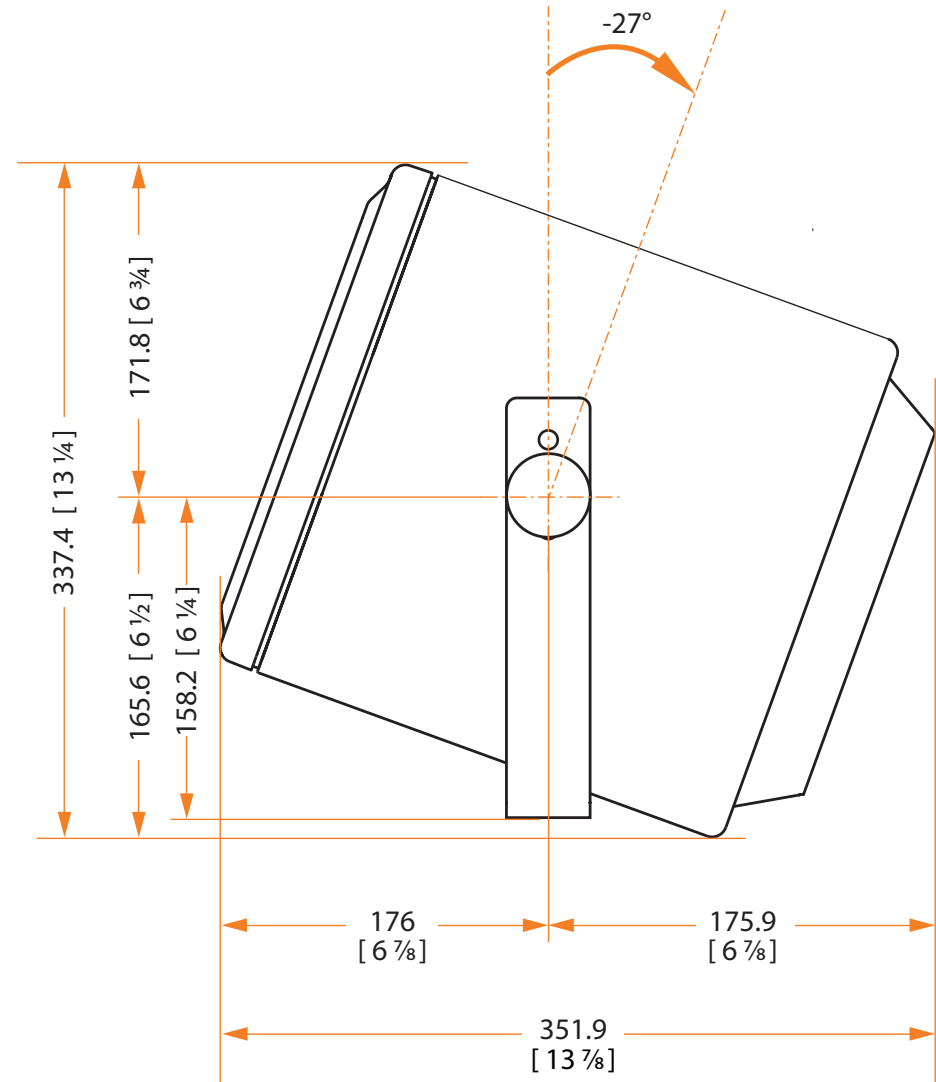
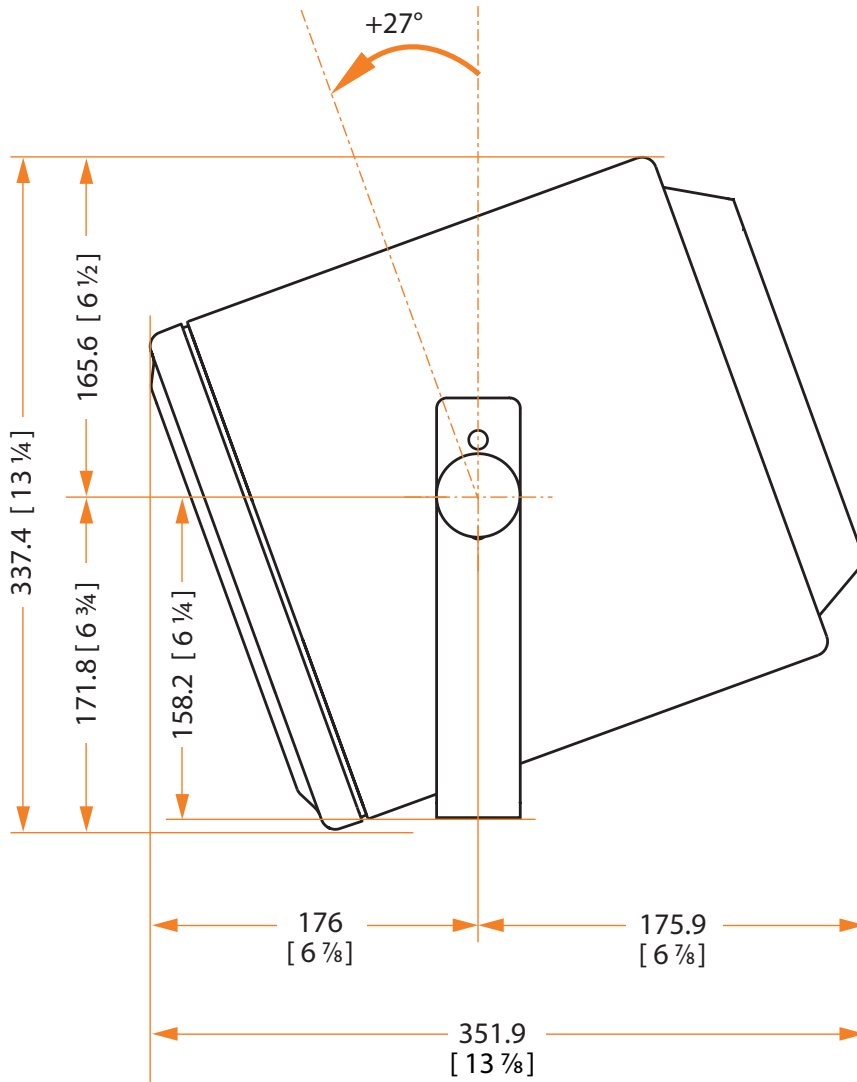


LH 25 bottom position



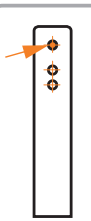
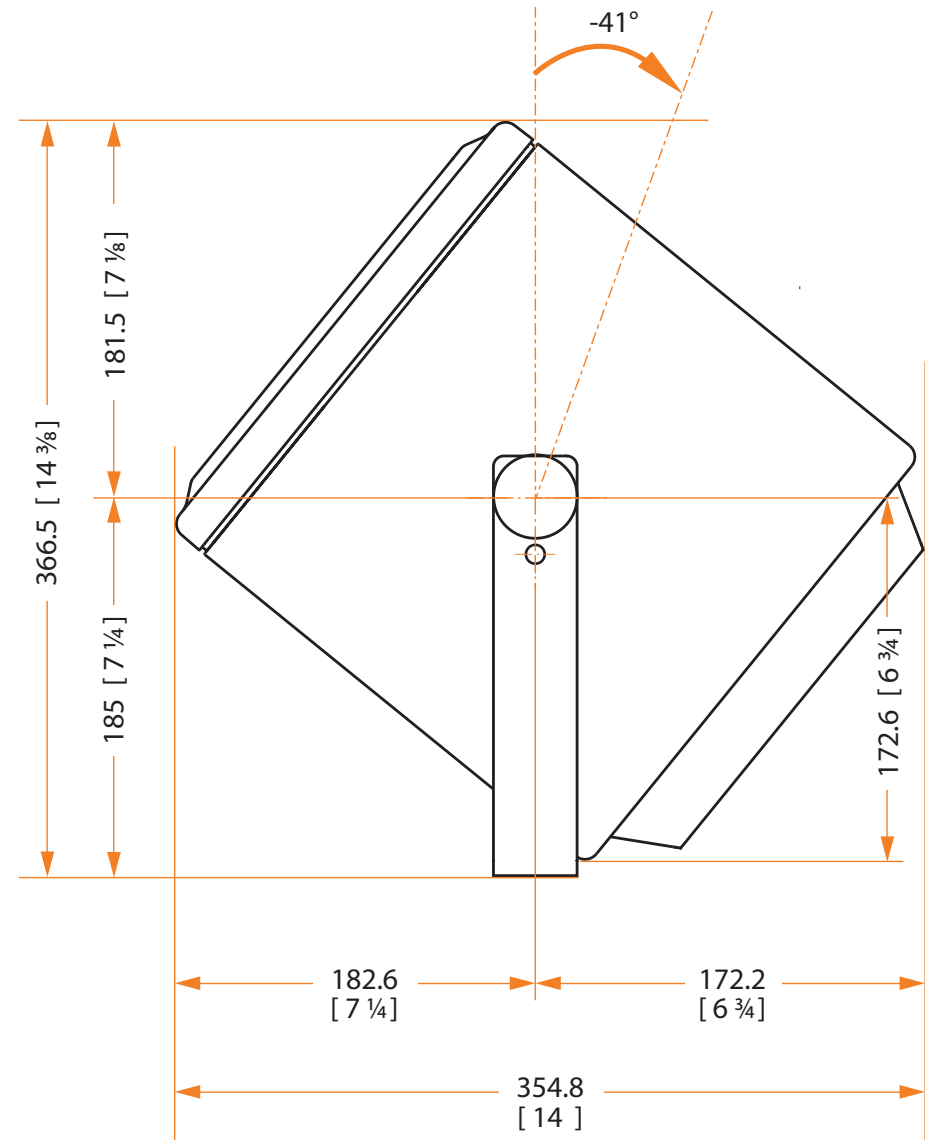
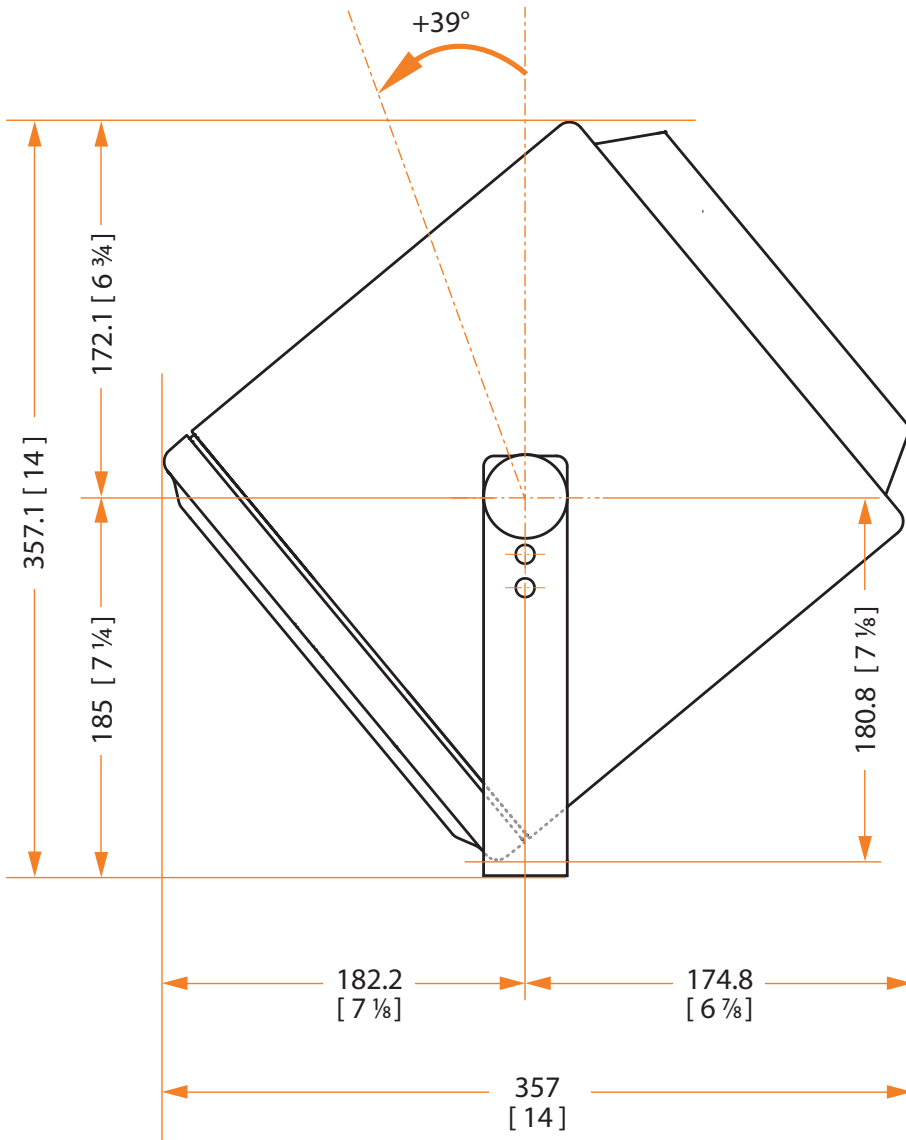


LH 25 middle position





LH 25 top position



mm
[inch]