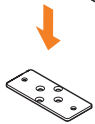
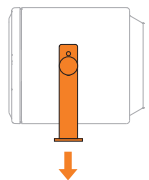


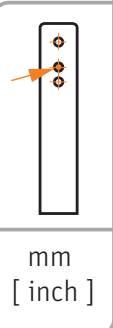
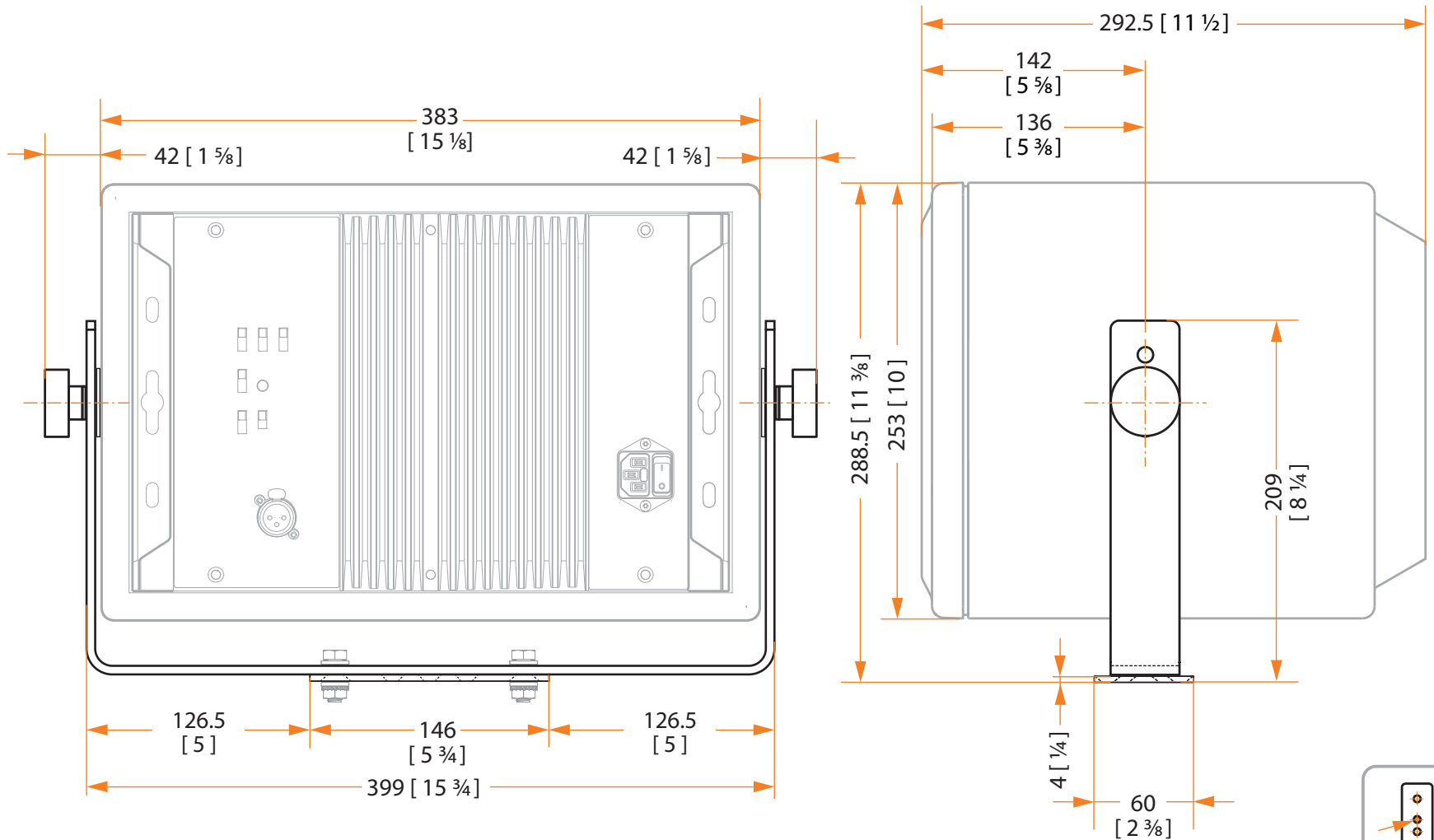
LH 25



LH 48

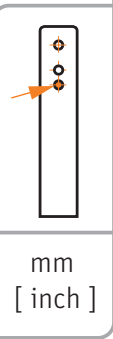
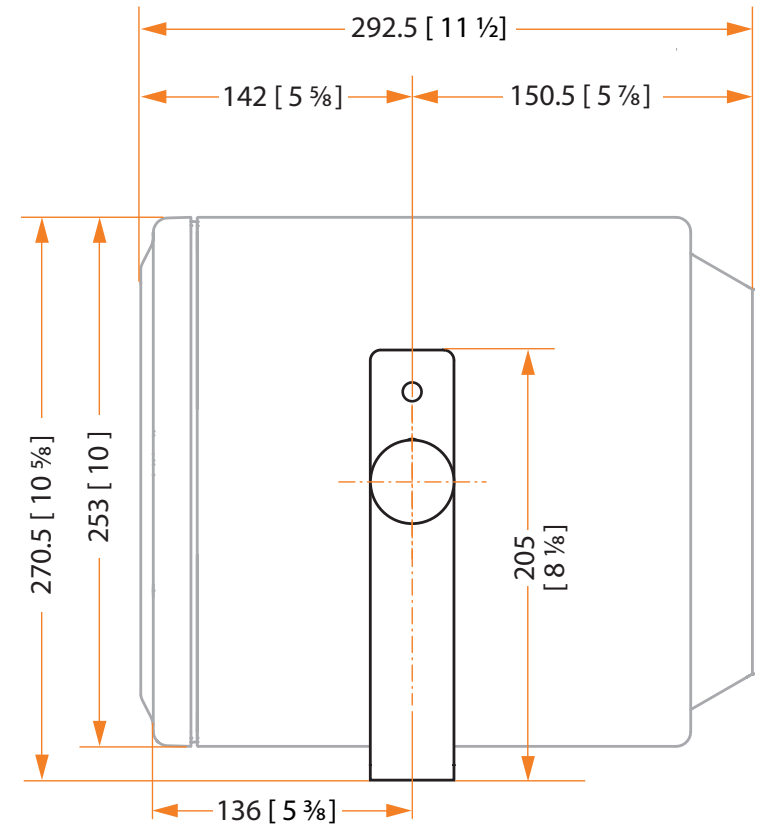
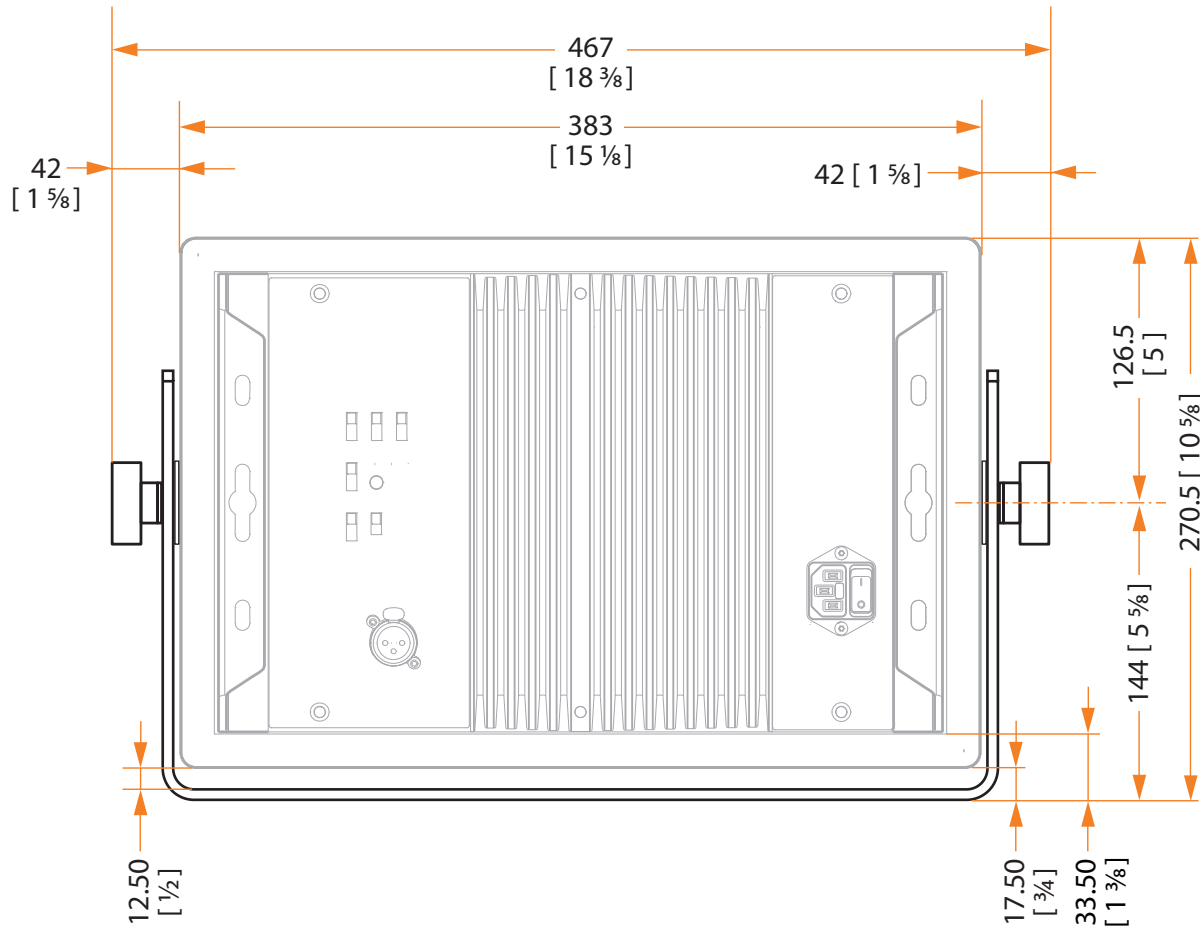


e. g.
K&M 26790
K&M 26795



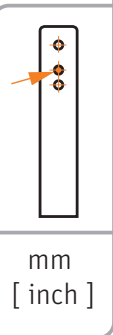
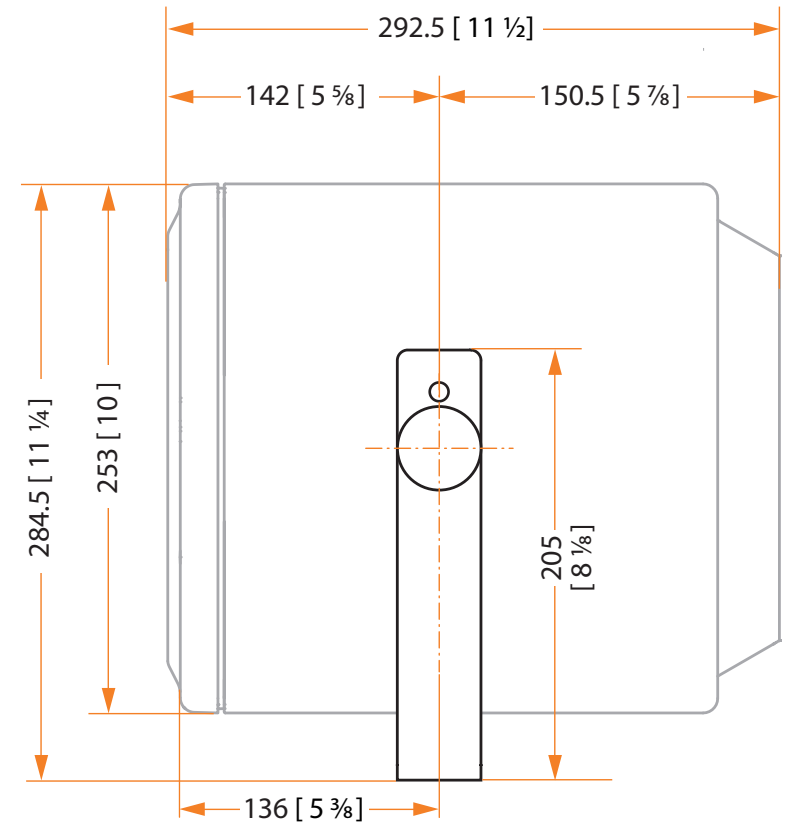
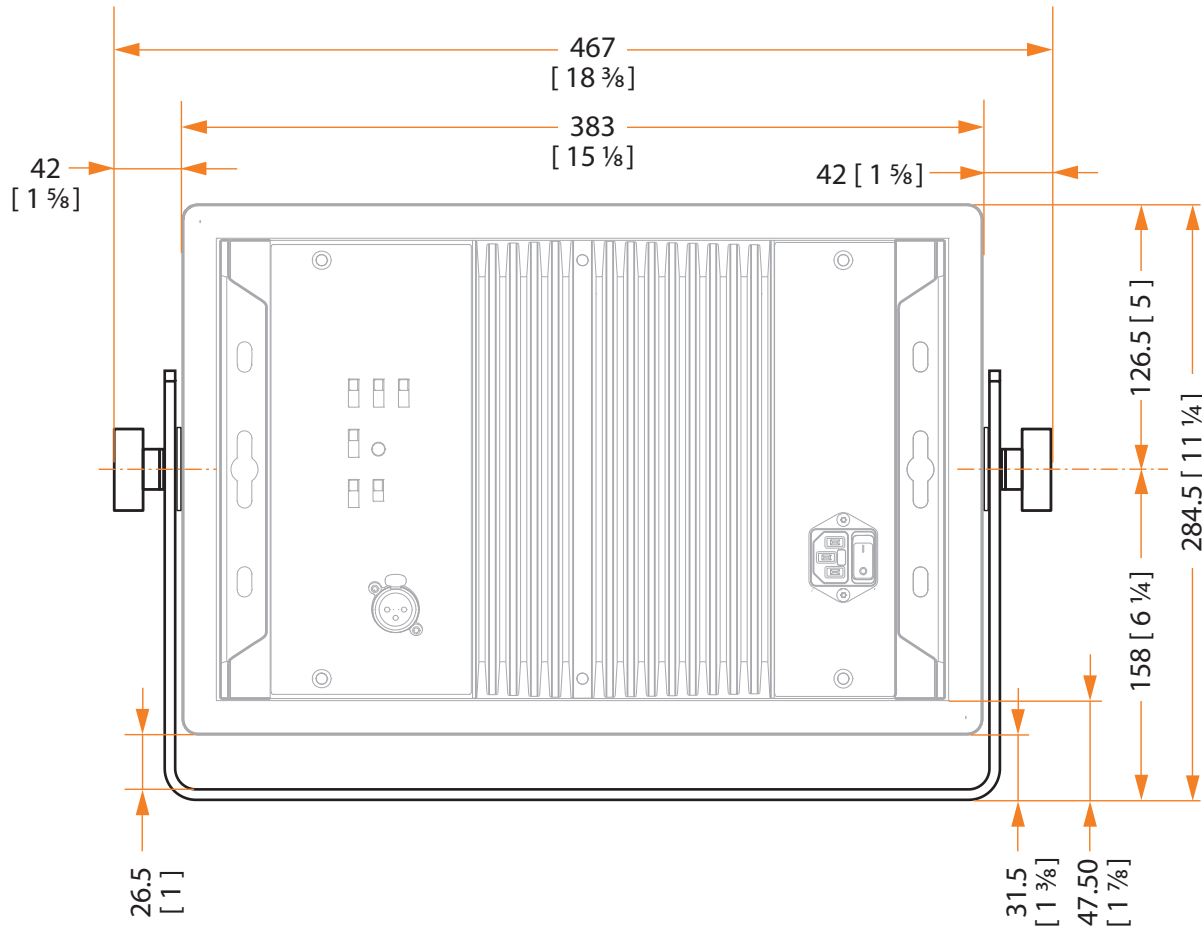


LH 25 bottom position



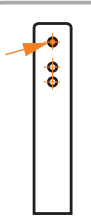
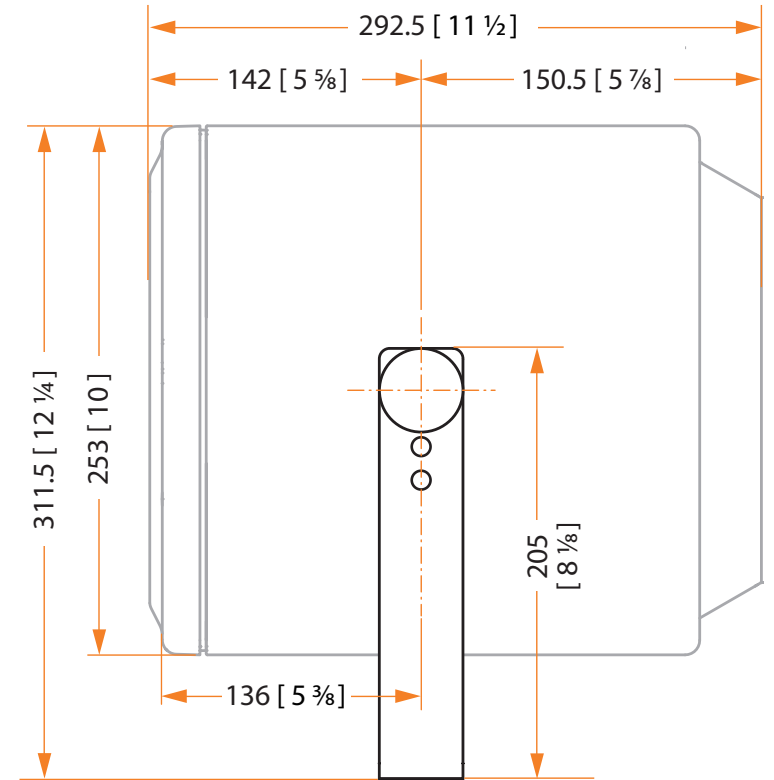
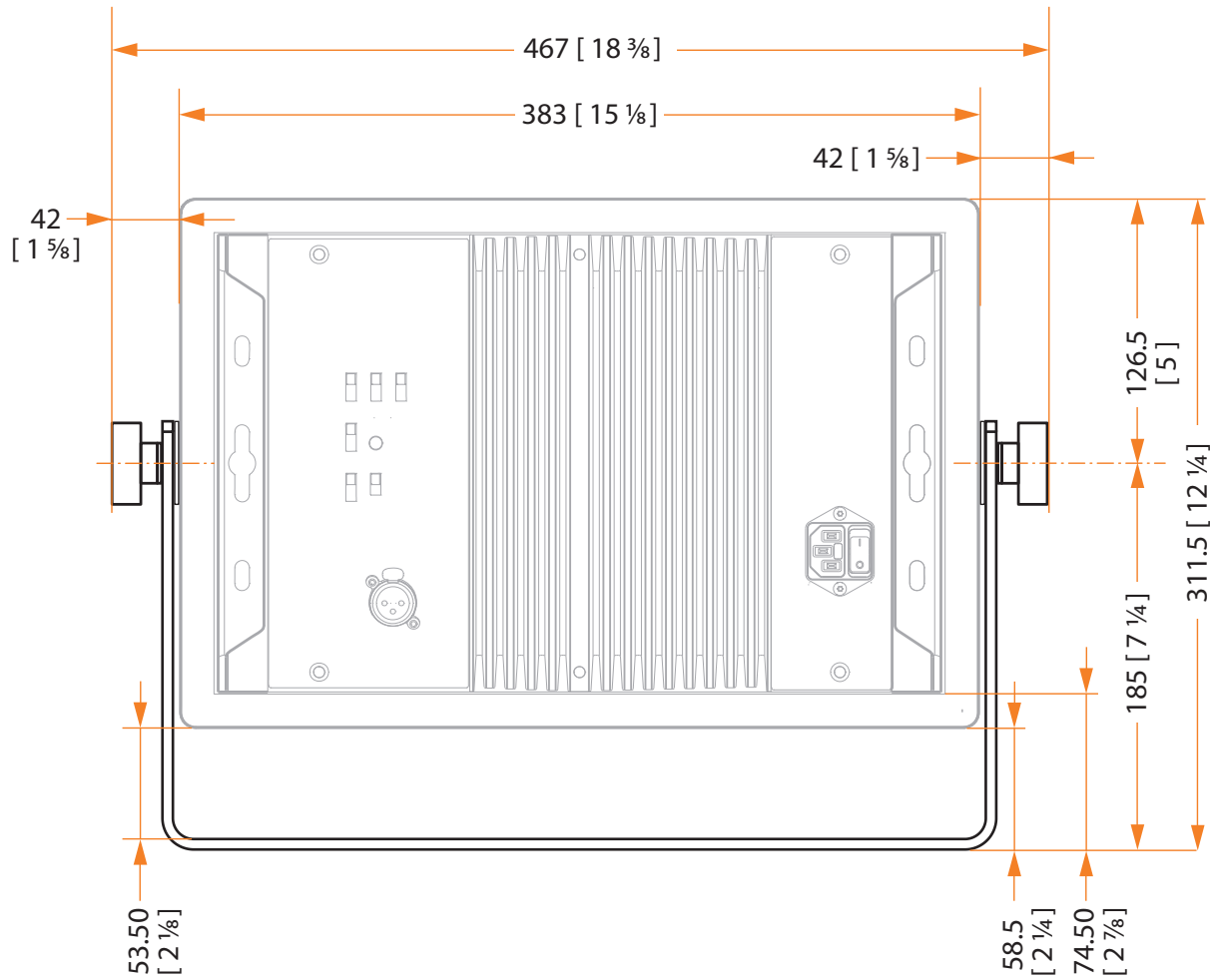


LH 25 middle position





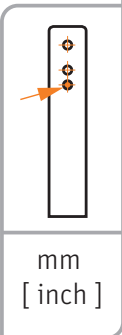
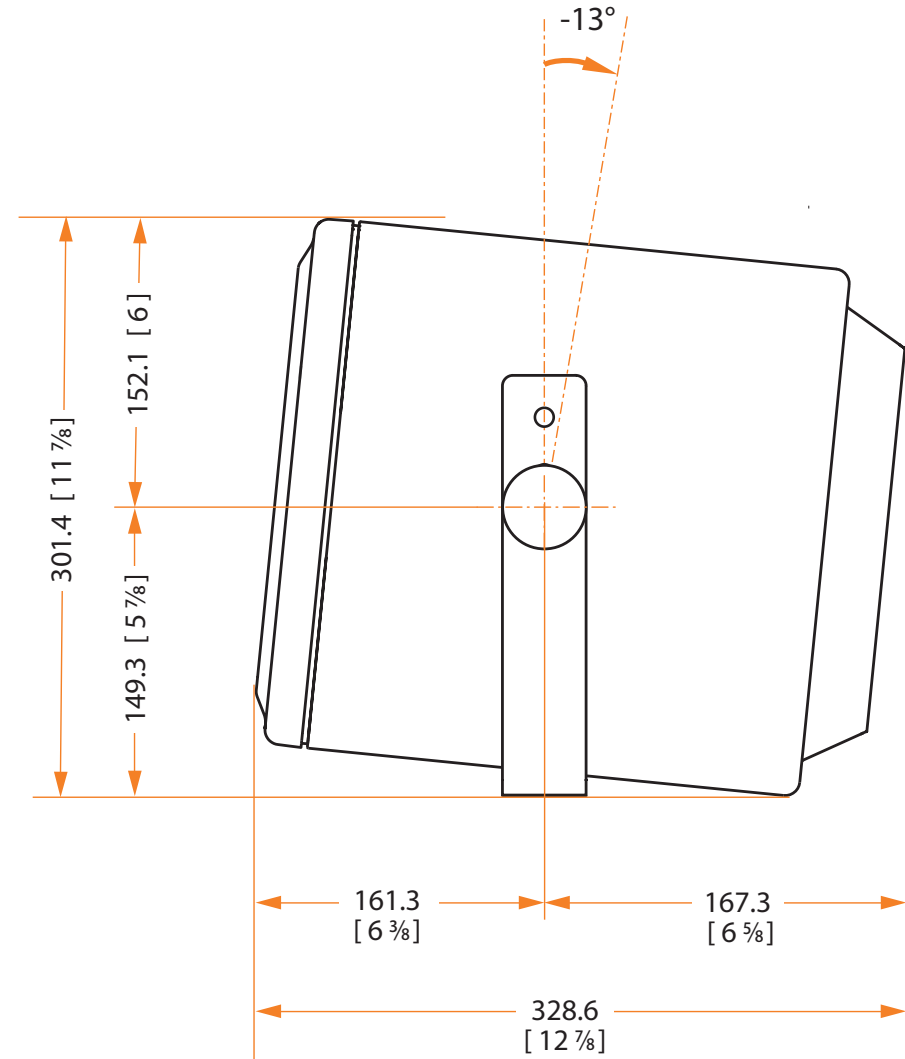
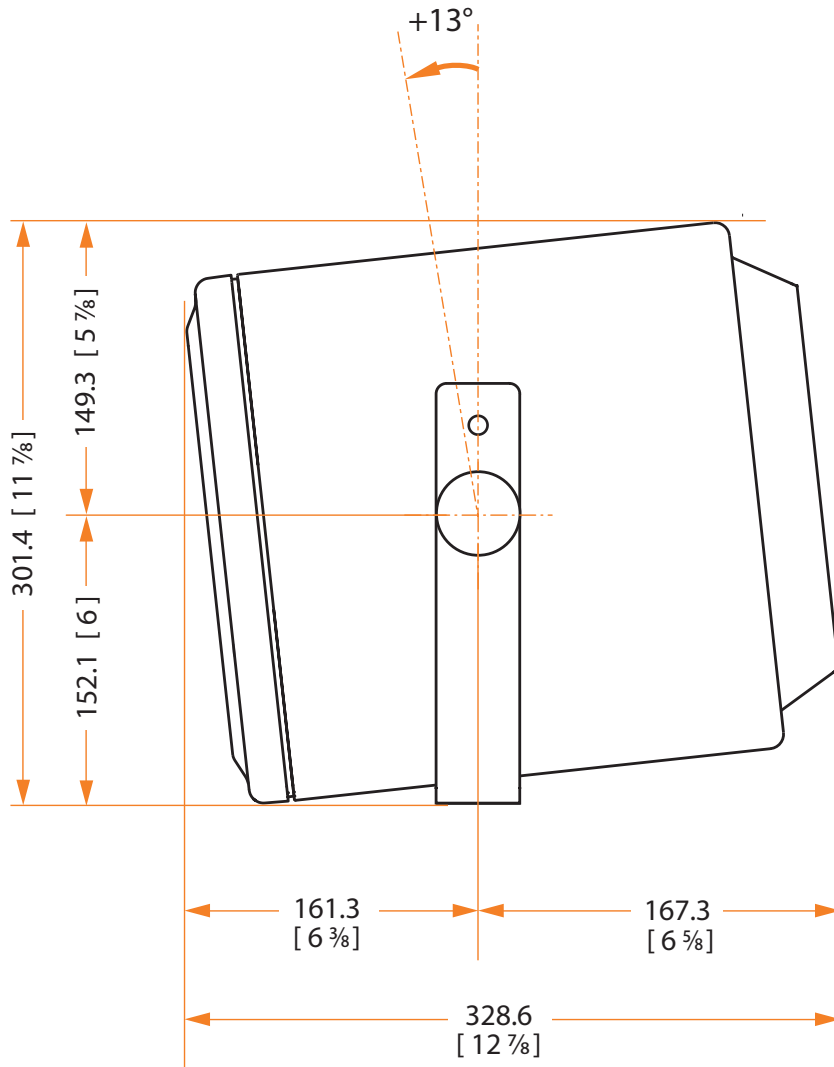
LH 25 top position



mm
[inch]

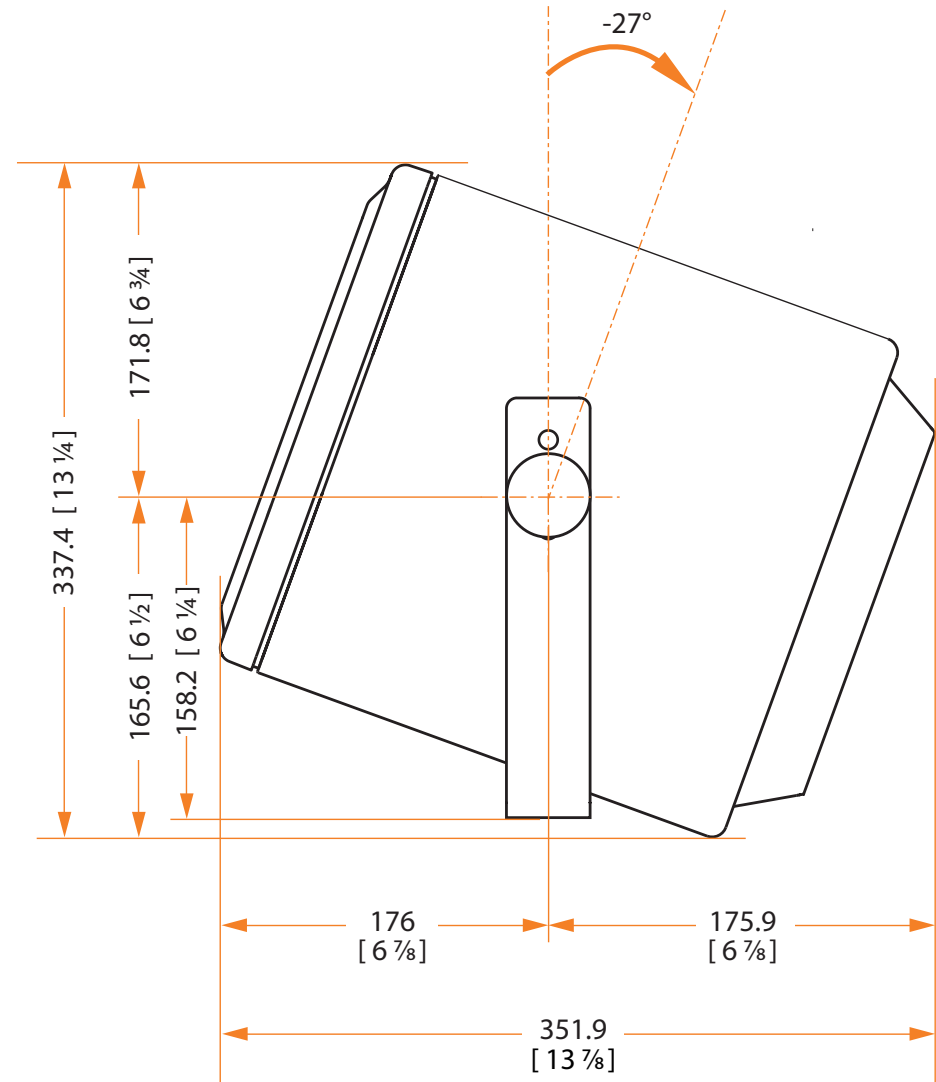
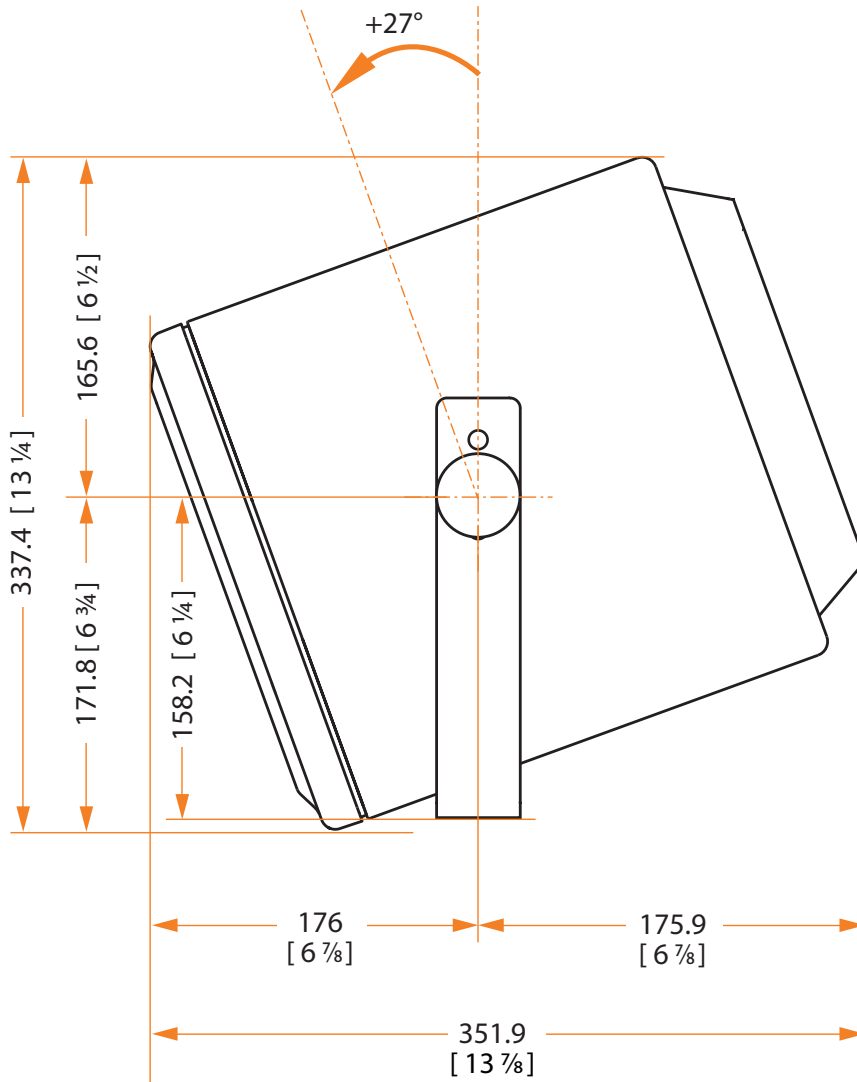


LH 25 bottom position



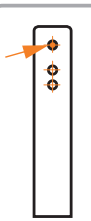
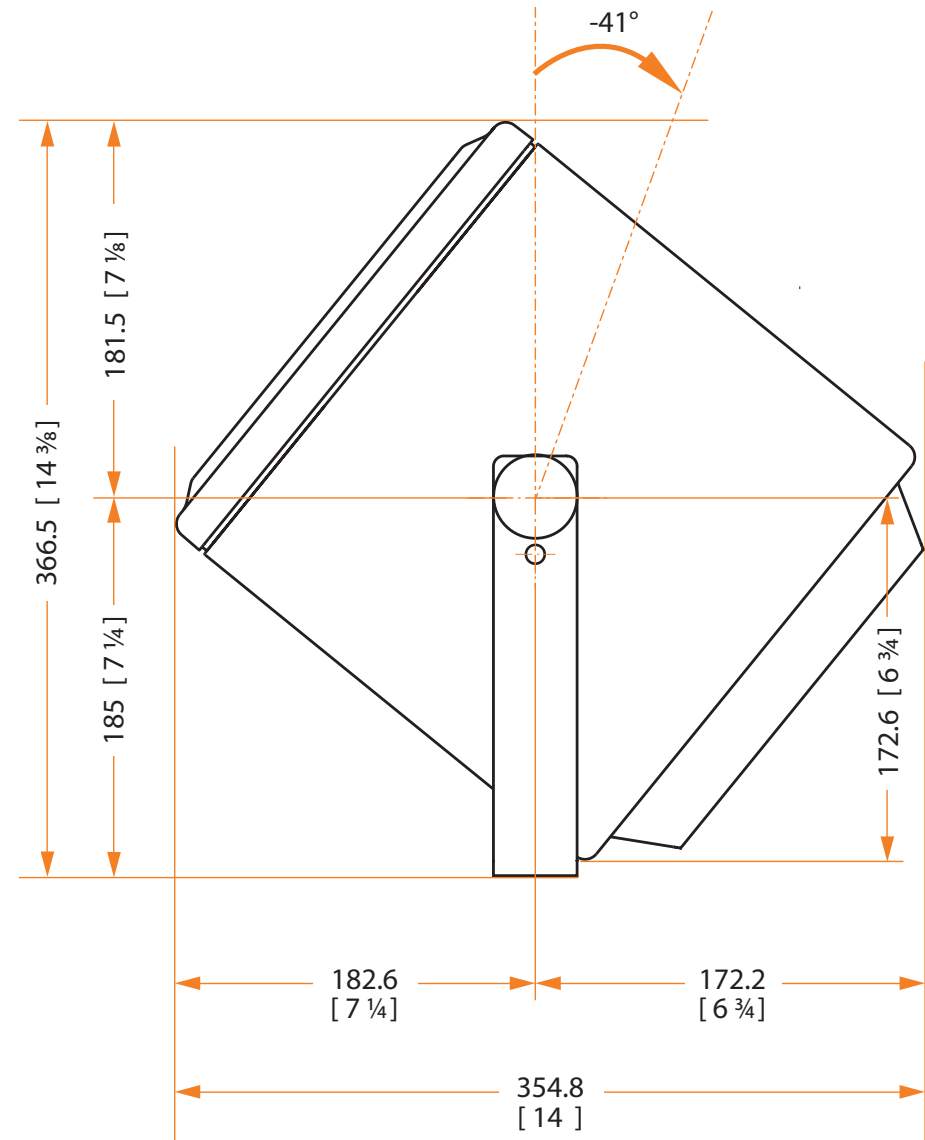
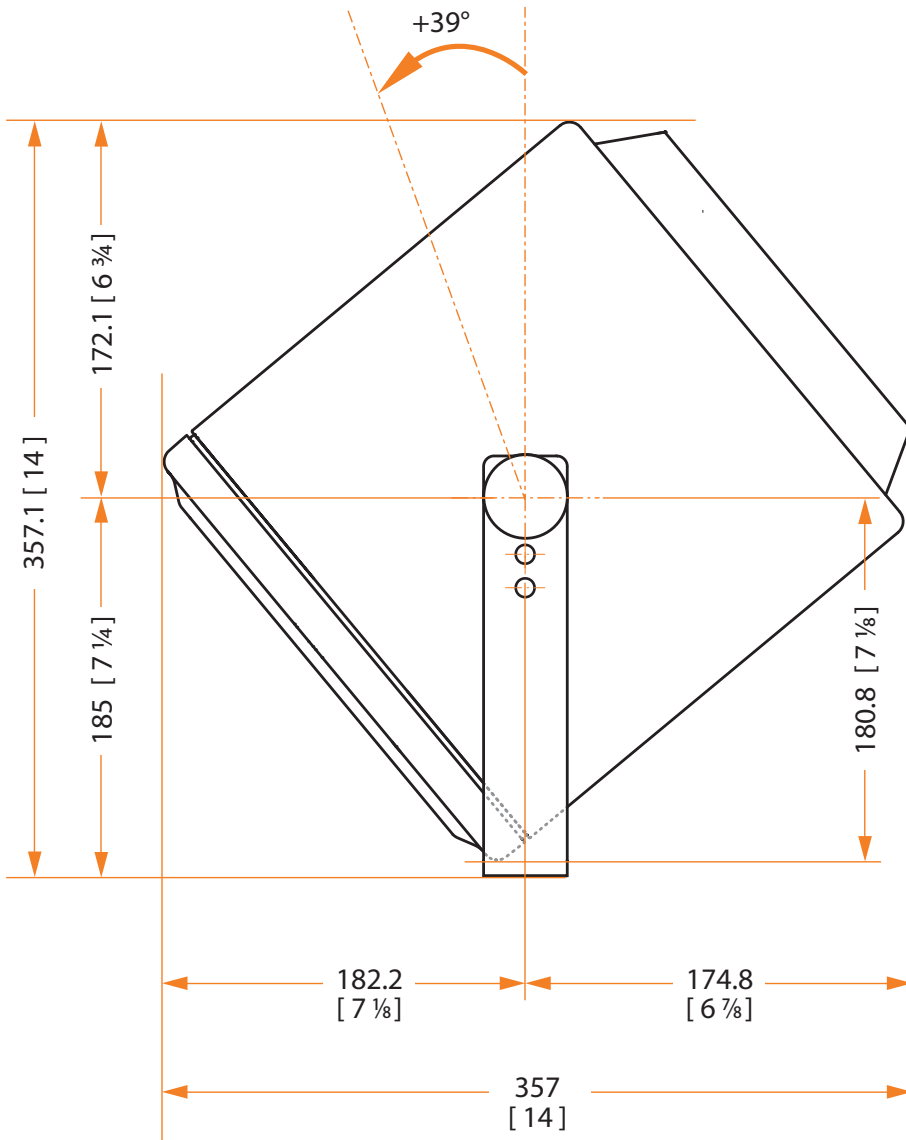


LH 25 middle position





LH 25 top position



mm
[inch]