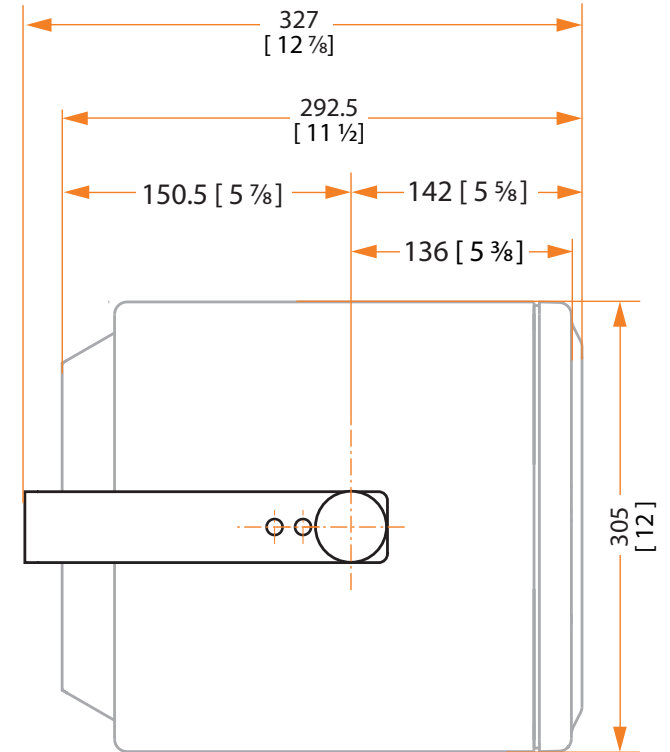
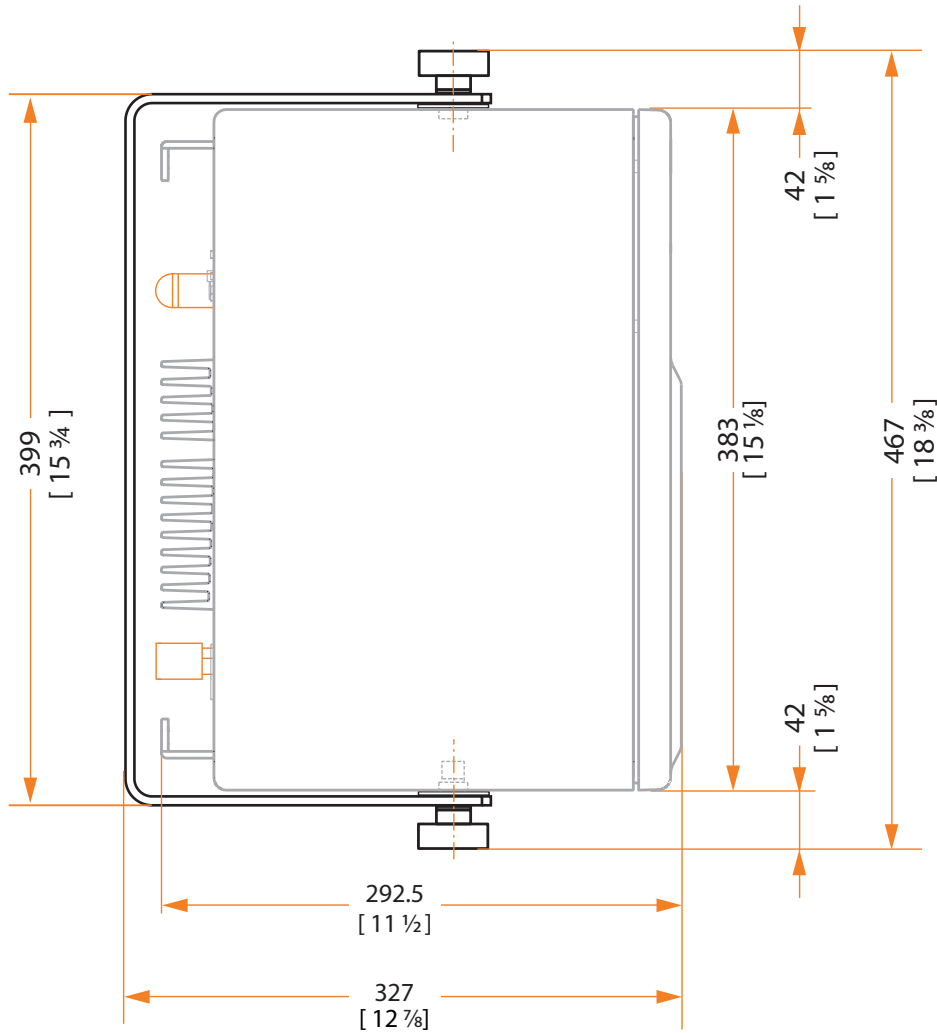
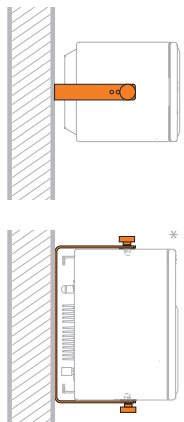
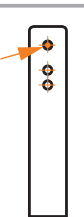


LH 25



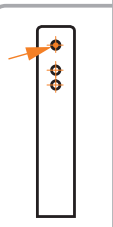
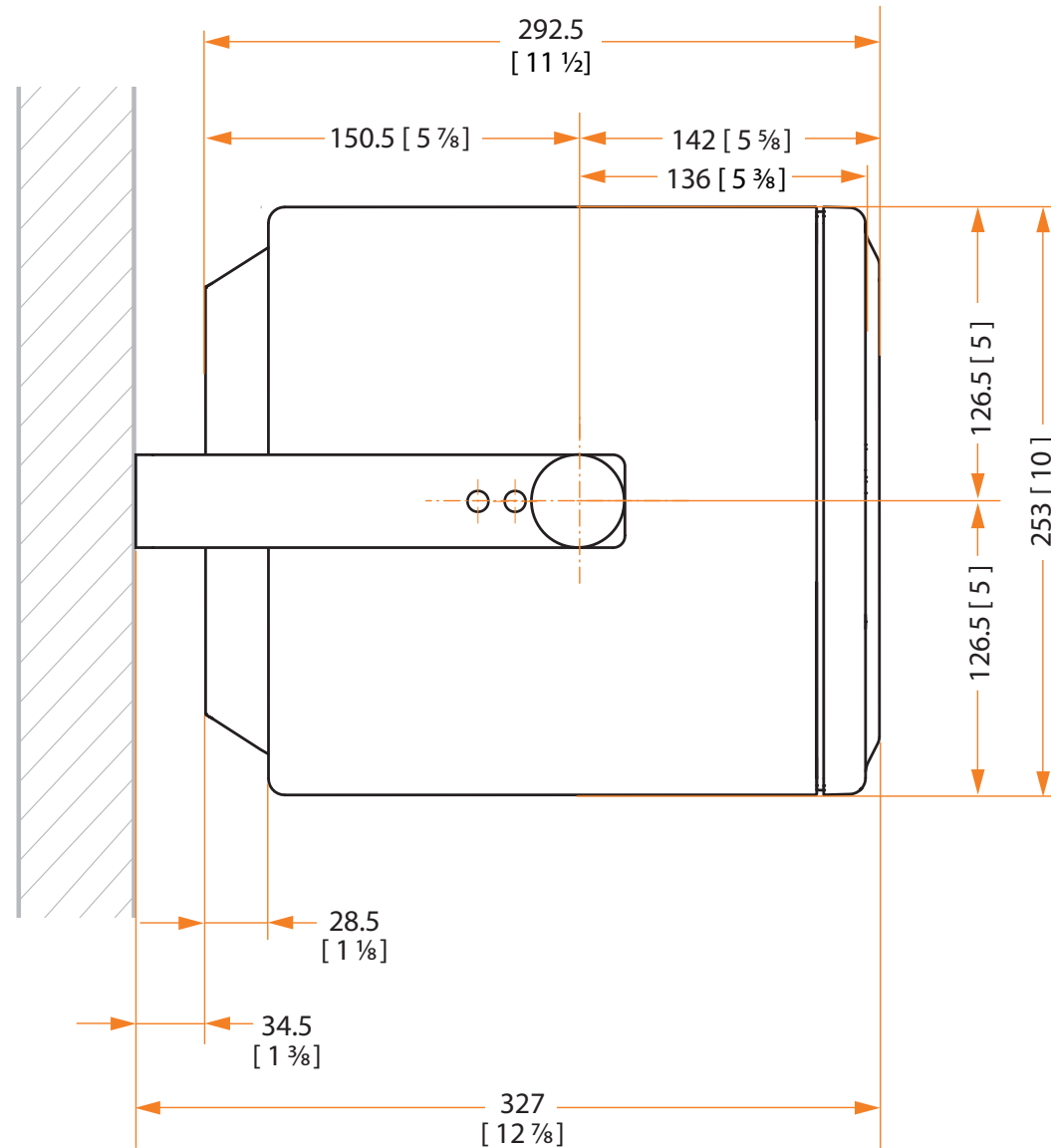
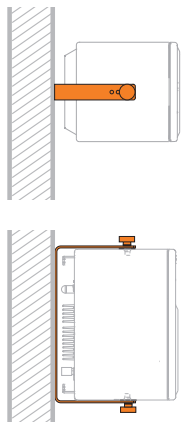
* While it is possible to mount the KH 310 vertically as shown here, Neumann recommends that you mount it horizontally whenever possible.



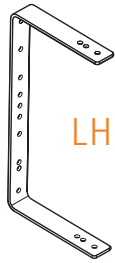
mm
[inch]



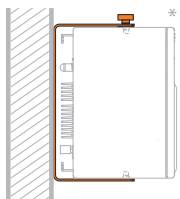
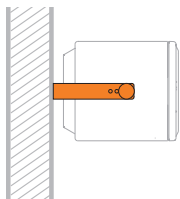
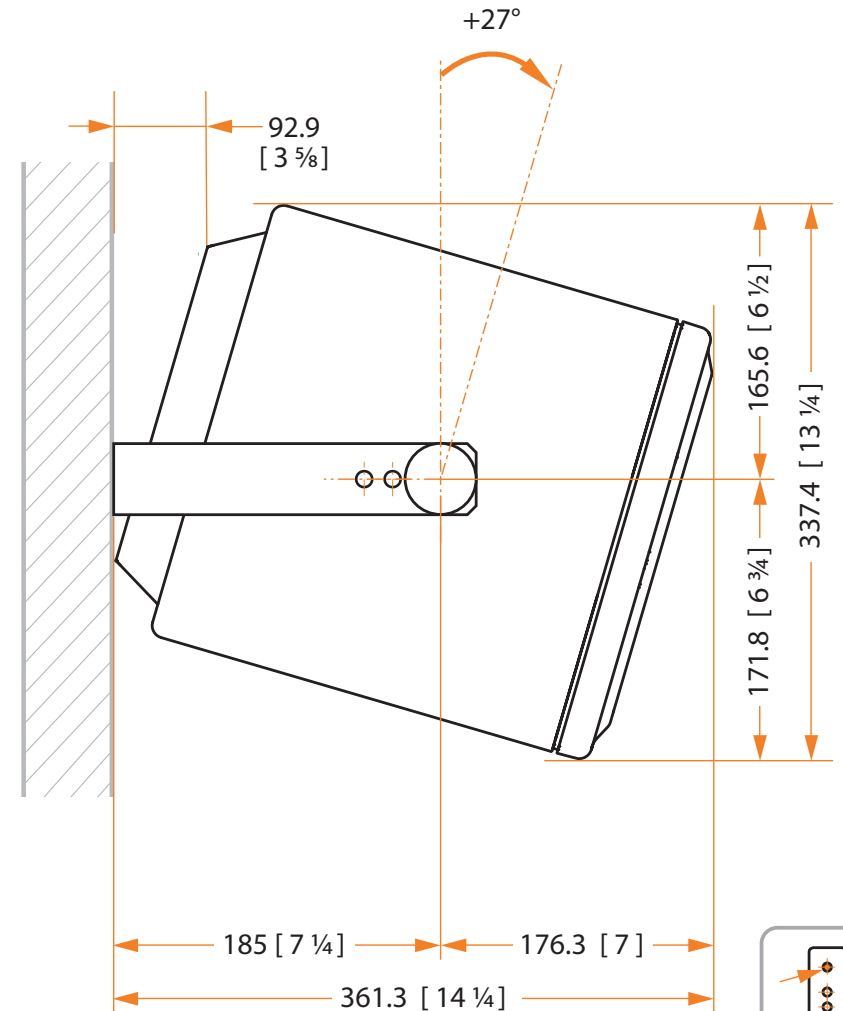
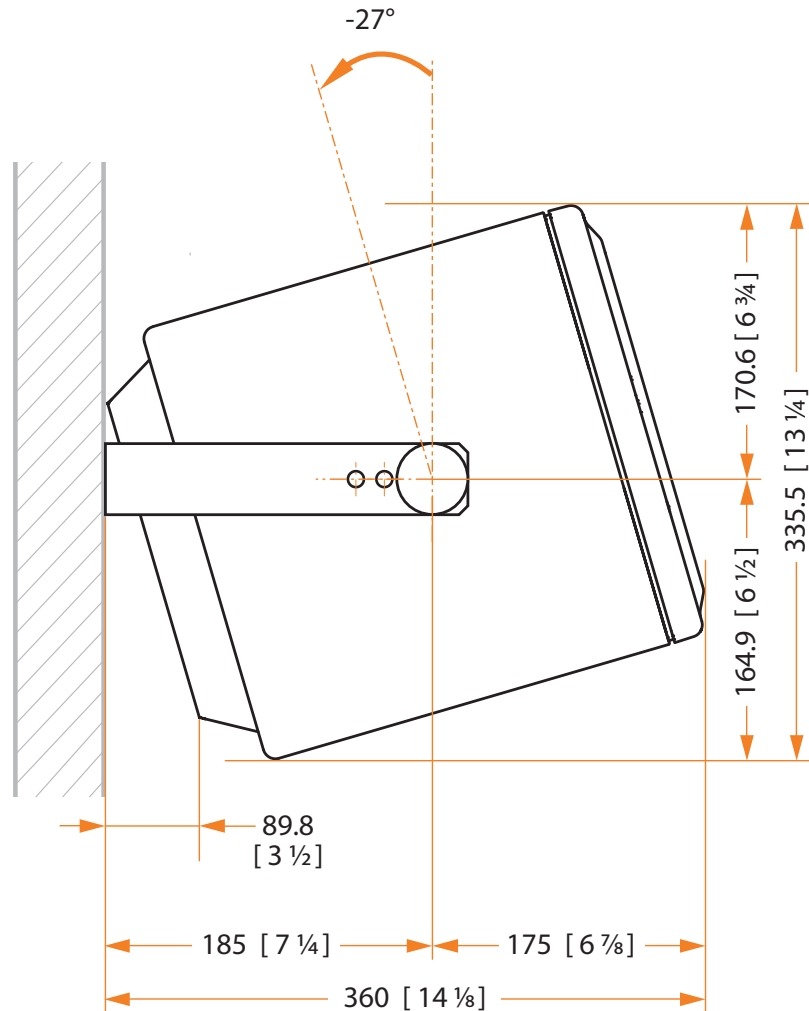
LH 25



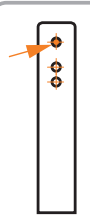
mm
[inch]



LH 25



* While it is possible to mount the KH 310 vertically as shown here, Neumann recommends that you mount it horizontally whenever possible.



mm
[inch]