



# LH 29

## Mounting manual TV-Spigot

EN

### Important safety and mounting instructions

- Have the product mounted by a specialist.
- Due to his/her technical training, know-how and experience as well as knowledge of relevant provisions, regulations and standards, the specialist must be able to assess assigned tasks, recognize potential hazards and ensure appropriate safety measures. The following safety and mounting instructions are addressed to this specialist.
- Read and follow the safety and mounting instructions, keep these instructions and always include them when passing the LH 29 on to third parties.
- Also read and follow the installation instructions contained in the operating manual of the mounted loudspeaker.
- When mounting, observe and follow the local, national and international regulations and standards.
- Mount the LH 29 in combination with other accessories from the Neumann mounting hardware range to loudspeakers with a maximum weight of 65 kg (143.3 lbs).
- Do not install the LH 29 in locations where it is exposed to externally generated vibrations.
- Always use the original supplied parts.



In the following you will be asked to combine other accessories from the Neumann mounting hardware range with the LH 29. Download the PDF file "Hardware Mounting Matrix" from [www.neumann.com](http://www.neumann.com). Only combine the Neumann mounting hardware as specified in the "Hardware Mounting Matrix".

- Fasten your loudspeaker to a Neumann mounting hardware that is also suitable for mounting to the LH 29 (e.g. LH 25, LH 36, LH 61, refer to the "Hardware Mounting Matrix"). Follow the safety and mounting instructions contained in the operating manual of the selected mounting hardware.
- Attach the LH 29 to the mounting hardware/loudspeaker combination (see fig. 1).
  - If different mounting positions are possible, choose mounting points that minimize leverage when the loudspeaker is tilted.
  - Tighten the nuts with a torque of 20 Nm.
- If you fasten the LH 29 with the mounted loudspeaker to a lighting truss:
  - The lighting truss must be able to carry the weight of all parts used plus the weight of the loudspeaker. If necessary, you additionally have to consider leverages. Follow the safety and mounting instructions contained in the operating manual of the lighting truss.



#### CAUTION!

Danger of injury and material damage due to dropping of the loudspeaker

Unless the LH 29 is properly fastened, the loudspeaker together with the mounting hardware can drop down.

- ▶ Have the loudspeaker held by a second specialist who is physically able to do so. The requirements mentioned earlier also apply to this specialist.
- ▶ When mounting the loudspeaker, provide a sufficient additional protection against dropping.

- To mount the LH 29 to a tripod stand or to mount it hanging off a lighting truss, proceed as follows :
  - Slide the LH 29 with the mounted loudspeaker as far as it will go onto an adapter approved for mounting of TV spigots and secure the position of the spigot using the safety elements of the adapter and – when mounted hanging – with an additional locking pin (see fig. 3b). Also read and follow the safety and mounting instructions contained in the operating manual of the adapter.
  - Use safety wires to additionally protect the loudspeaker and the mounting hardware against tipping/dropping. The safety wires, rope terminations and coupling links must comply in their dimensioning and condition with the regulations and standards of the country in which they are used and must reliably prevent tipping/dropping of a load of 65 kg (143.3 lbs).
- Make sure that ...
  - you use both screws **B** to fasten the LH 29 to suitable Neumann mounting hardware;
  - the LH 29, the associated mounting hardware, the loudspeaker, the lighting truss and/or the tripod stand cannot tip over or drop down, even if the power or audio cables are pulled;
  - you replace the safety wires and coupling links by new ones when they have prevented tipping/dropping;
  - you check every 3 months if all screws are properly tightened and if the LH 29 and associated mounting hardware, additional fastening elements, safety wires and coupling links, as well as the loudspeaker are in proper condition.

In case of any damage or any deviation from the safety and mounting instructions, immediately dismount the loudspeaker, the LH 29 and the additional mounting hardware used.

### Delivery includes

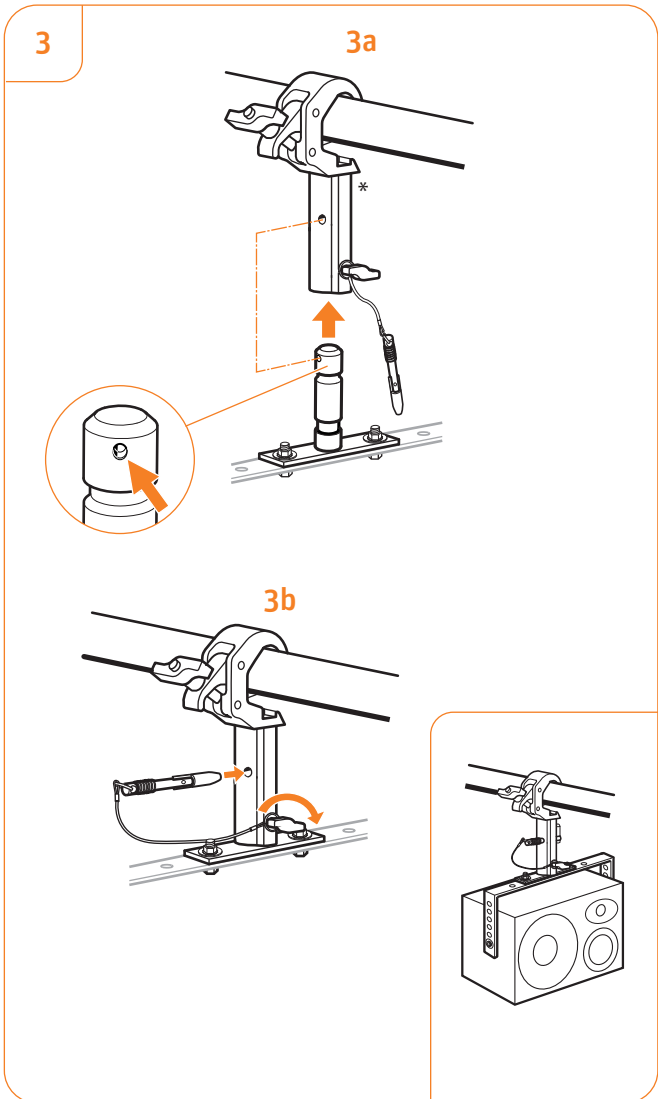
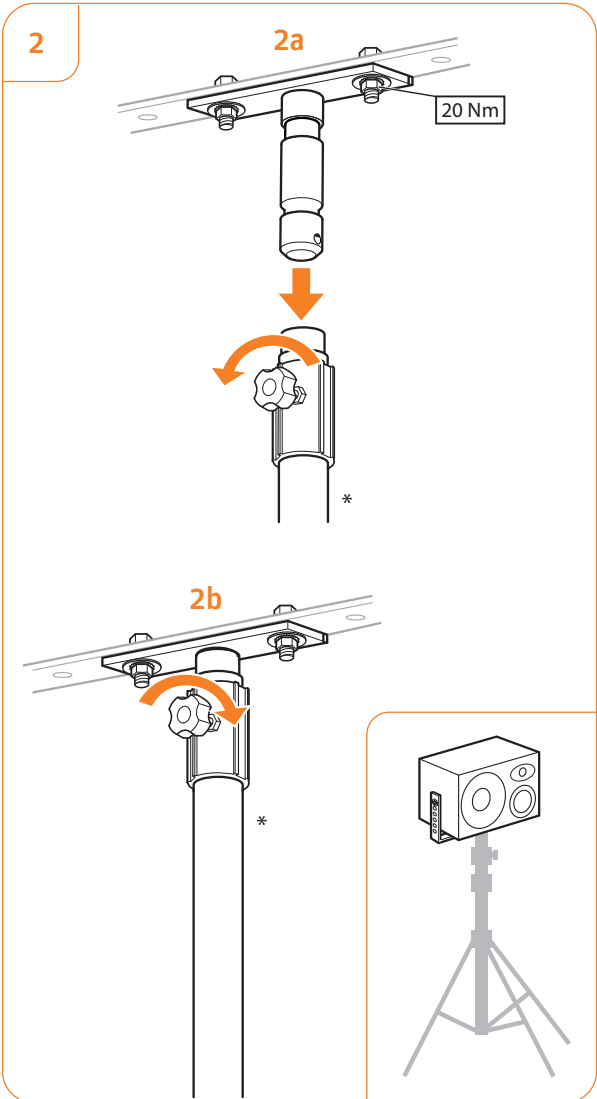
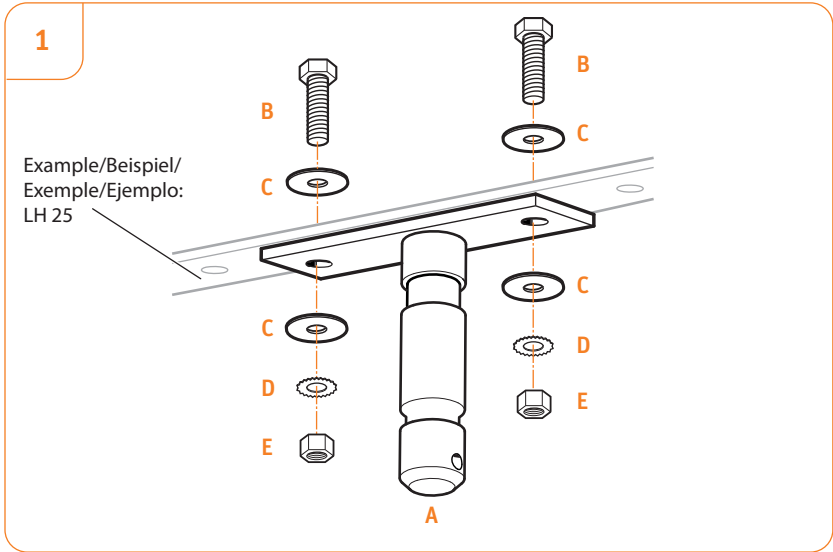
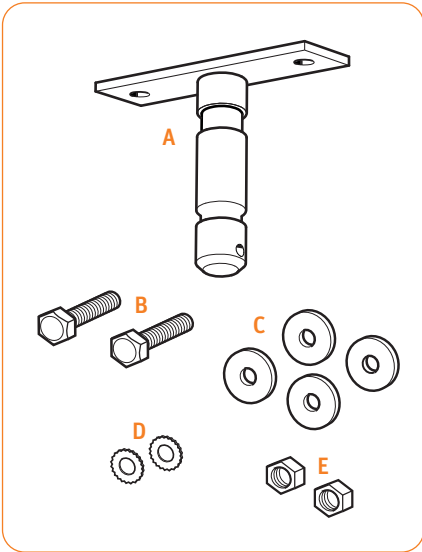
- A: 1 x LH 29 TV spigot
- B: 2 x M8x25 screws
- C: 4 x washers
- D: 2 x lock washers
- E: 2 x M8 nuts

### Specifications

Weight	0.7 kg (1.5 lbs)
Dimensions	105 x 145 x 40 mm (H x W x D) 4 1/8" x 5 3/4" x 1 5/8" (H x W x D)
Max. load	65 kg (143.3 lbs)

### Guarantee

For the current terms and conditions of the product guarantee please visit [www.neumann.com](http://www.neumann.com).



\* Sourced from 3rd parties